

# P875A



Product Family	Hob
Built-in	Traditional
Dimensions	70/75 cm
Power supply	Electric
Type	Ceramic
EAN code	8017709162306



## Aesthetics



Aesthetics	Coloniale
Colour	Anthracite
Material	Enamelled
Frame	Yes
Frame colour	Anthracite
Type of control setting	Control knobs
Control knobs position	Front
No. of controls	5
Controls colour	Gold
Components finishing	Gold
Serigraphy colour	Gold
Alternative colours available	Cream

## Program / Functions

No. of ceramic cook zones	5
Power levels	6
Total no. of cook zones	5

## Technical Features



Front left - Ceramic - single - 1.80 kW - Ø 18.0 cm  
 Rear left - Ceramic - single - 1.20 kW - Ø 14.0 cm  
 Central - Ceramic - single - 2.00 kW - 15.0x25.0 cm

Rear right - Ceramic - single - 2.40 kW - Ø 21.0 cm

Front right - Ceramic - single - 1.20 kW - Ø 14.0 cm

Minimum pan diameter indication Yes

Residual heat indicator Yes

Automatic switch off when overheat Yes

## Accessories Included

Other accessories Brass control knobs kit

## Electrical Connection

Nominal power (W) 8600 W

Current 24 A

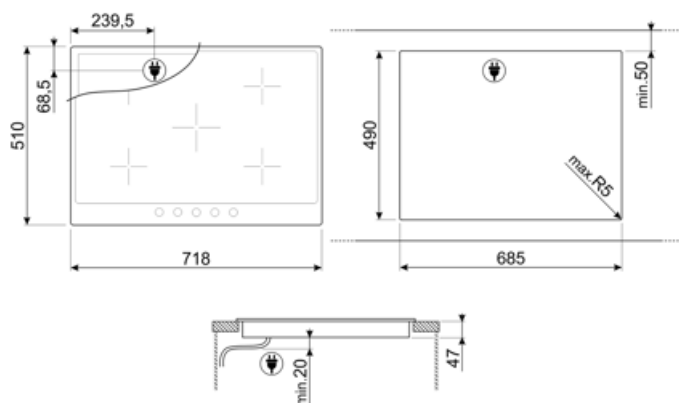
Voltage (V) 220-240 V

Voltage 2 (V) 380-415 V

Frequency (Hz) 50/60 Hz

Terminal Box

6 poles



---

## Compatible Accessories

---








### SCRP

Induction and ceramic hobs and teppanyaki scraper

---

## Symbols glossary

---

- |  |   |   |  |
|--|---|---|--|
|  | Standard installation: Traditional installation in tabletop, suitable for any kitchen sets  |  | Knobs control  |
|  | Overheat protection: The safety system that automatically turns off the hob in case of overheating of the control unit.   |  | Glass ceramic: The base of the hob is made glass ceramic. Heating is performed by the heating elements Hi-Light. |
|  | Indication of residual heat: After the glass ceramic hob is switched off the residual heat indicator shows which of the heating zones still remains hot. When the temperature drops below 60 ° C, the indicator goes out. |   |  |