

P875AO



Product Family
Built-in type
Dimensions
Power supply
Type
EAN code

Hob
Traditional
70/75 cm
Electric
Ceramic
8017709259990



Aesthetics



Aesthetic	Coloniale
Colour	Anthracite
Material	Verniciato
Frame	Yes
Frame colour	Anthracite
Type of control setting	Control knobs
Control knob position	Front
No. of controls	5
Controls colour	Antique brass
Components finishing	Antique brass
Serigraphy colour	Gold
Alternative colours available	Cream

Options

Worktop Cut-Out 490x685 mm

Technical Features



Front-left - Ceramic - Single - 1.80 kW - Ø 18.0 cm
Rear-left - Ceramic - Single - 1.20 kW - Ø 14.0 cm

Central - Ceramic - Single - 2.00 kW - 15.0x25.0 cm
Rear-right - Ceramic - Single - 2.40 kW - Ø 21.0 cm

Front-right - Ceramic - Single - 1.20 kW - Ø 14.0 cm

Minimum pan diameter indication Yes

Residual heat indicator Yes

Automatic switch off when overheat Yes

Electrical Connection

Plug Not present

Electrical connection rating (W) 8600 W

Current 24 A

Voltage (V) 220-240 V

Voltage 2 (V) 380-415 V

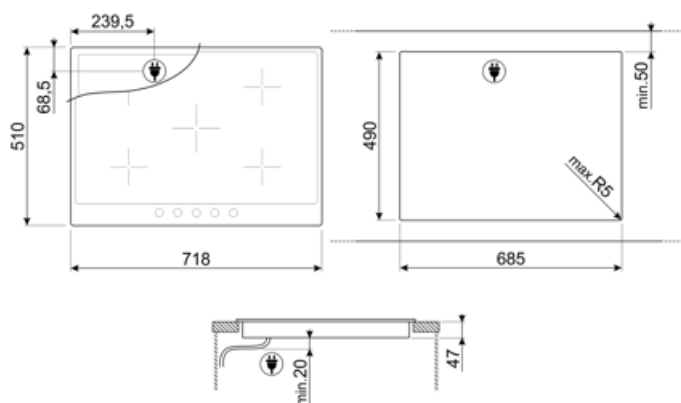
Type of electric cable installed Yes, Three-phase

Additional connection modalities Yes, Single and Double phase

Frequency (Hz) 50/60 Hz

Power supply cable length 150 cm

Terminal box 6 poles



Not included accessories

5MP800A

Hob knobs set - Coloniale
Gold/Anthracite for gas on glass hobs



5MP800P

Hob knobs set - Coloniale Gold/Cream
for gas on glass hobs



5MP700PO

Hob knobs set - Cortina Cream/Old
brass for Gas on Glass hobs



5MP700AO

Hob knobs set - Cortina
Anthracite/Old brass for Gas on Glass
hobs








SCRP

Non-scratch hob scraper - suitable for
induction and ceramic hobs



Symbols glossary (TT)

- | | | | |
|--|---|---|--|
|  | Standard installation: Traditional installation in tabletop, suitable for any kitchen sets |  | Knobs control |
|  | Overheat protection: The safety system that automatically turns off the hob in case of overheating of the control unit. |  | Glass ceramic: The base of the hob is made glass ceramic. Heating is performed by the heating elements Hi-Light. |
|  | Indication of residual heat: After the glass ceramic hob is switched off the residual heat indicator shows which of the heating zones still remains hot. When the temperature drops below 60 ° C, the indicator goes out. | | |