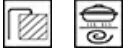
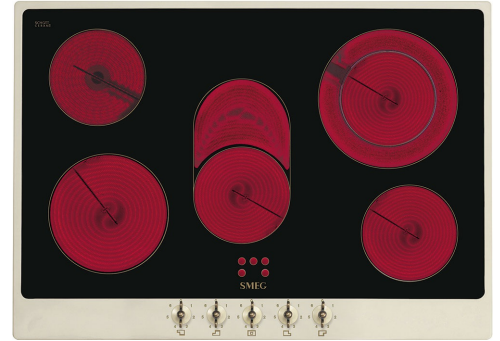


P875PO



Product Family
Built-in type
Dimensions
Power supply
Type
EAN code

Hob
Traditional
70/75 cm
Electric
Ceramic
8017709260002



Aesthetics



Aesthetic	Coloniale
Colour	Cream
Material	Verniciato
Frame	Yes
Frame colour	Cream
Type of control setting	Control knobs
Control knob position	Front
No. of controls	5
Controls colour	Antique brass
Components finishing	Antique brass
Serigraphy colour	Gold
Alternative colours available	Anthracite

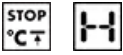
Programs / Functions

No. of ceramic cook zones	5
Power levels	6
Total no. of cook zones	5

Options

Worktop Cut-Out	490x685 mm
-----------------	------------

Technical Features

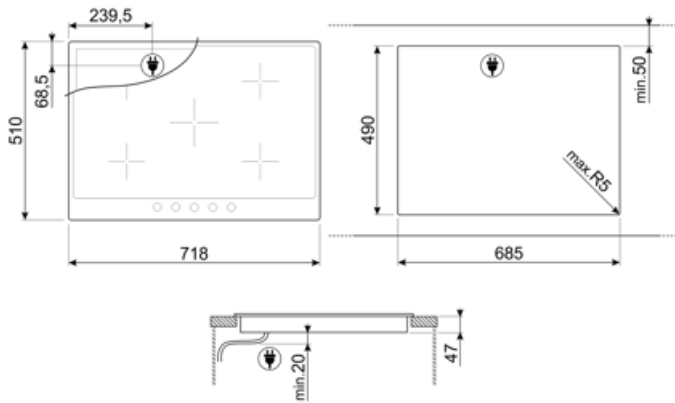


Front-left - Ceramic - Single - 1.80 kW - Ø 18.0 cm
 Rear-left - Ceramic - Single - 1.20 kW - Ø 14.0 cm
 Central - Ceramic - Extendable - 2.00 kW - 15.0x25.0 cm
 Rear-right - Ceramic - Double - 2.40 kW - Ø 21.0 cm
 Front-right - Ceramic - Single - 1.20 kW - Ø 14.0 cm

Minimum pan diameter indication Yes **Residual heat indicator** Yes
Automatic switch off when overheat Yes

Electrical Connection

Plug	Not present	Type of electric cable installed	Yes, Three-phase
Electrical connection rating (W)	8600 W	Additional connection modalities	Yes, Single and Double phase
Current	24 A	Frequency (Hz)	50/60 Hz
Voltage (V)	220-240 V	Power supply cable length	150 cm
Voltage 2 (V)	380-415 V	Terminal box	6 poles



Compatible Accessories

5MP700AO

Hob knobs set - Cortina Anthracite/Old brass for Gas on Glass hobs



5MP800A

Hob knobs set - Coloniale Gold/Anthracite for gas on glass hobs



SCRP

Non-scratch hob scraper - suitable for induction and ceramic hobs



5MP700PO

Hob knobs set - Cortina Cream/Old brass for Gas on Glass hobs



5MP800P

Hob knobs set - Coloniale Gold/Cream for gas on glass hobs



Symbols glossary



Standard installation: Traditional installation in tabletop, suitable for any kitchen sets



Overheat protection: The safety system that automatically turns off the hob in case of overheating of the control unit.



Glass ceramic: The base of the hob is made glass ceramic. Heating is performed by the heating elements Hi-Light.



Indication of residual heat: After the glass ceramic hob is switched off the residual heat indicator shows which of the heating zones still remains hot. When the temperature drops below 60 ° C, the indicator goes out.



Knobs control