

# PC31GNO



Product Family	Hob
Built-in type	Ultra-low profile
Dimensions	30 cm
Power supply	Gas
Type	Gas
EAN code	8017709199371



## Aesthetics



Aesthetic	Classica
Colour	Black
Finishing	Glass
Material	Glass
Glass on Steel	Yes
Pan stands	Cast iron
Type of control setting	Control knobs
Control knob position	Front
No. of controls	2
Controls colour	Brass
Components finishing	Black
Serigraphy colour	Grey

## Program / Functions

No. of gas cook zones	1
Total no. of cook zones	1

## Options

Worktop Cut-Out	476-480x250-254 mm
-----------------	--------------------

## Technical Features

UR

Central - Gas - UR - 6.00 kW

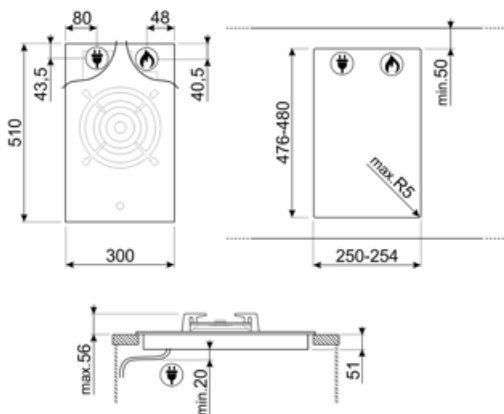
Gas safety valves Yes Automatic Ignition Yes

## Electrical Connection

Plug	Not present	Frequency (Hz)	50/60 Hz
Electrical connection rating (W)	1 W	Power supply cable length	120 cm
Voltage (V)	220-240 V		

## Gas Connection

Gas Type	G30 GPL Liquid gas	Other gas nozzles included	G110 City gas, G20 Natural gas
Gas connection	Conical	Gas connection rating (W)	6200 W



---

## Compatible Accessories

---



**GRM**

Coffee machine support



**GRW**

Wok support








**WOKGHU**

Cast iron WOK Support

---

## Symbols glossary

---

- |  |   |   |  |
|--|---|---|--|
|  | Ultra-low profile: Installation of product with flat edge - height of 1 mm. |  | Heavy duty cast iron pan stands: for maximum stability and strength.   |
|  | Knobs control   |  | Reinforced base: A reinforced base, developed exclusively by Smeg, consists of a steel layer fixed to the underside of the glass surface of all gas on glass hobs. |
|  | Ultra rapid burners: Powerful ultra rapid burners offer up to 5kw of power. |   |  |