

# PD106ES



<b>Product Family</b>	Hob
<b>Built-in</b>	Traditional
<b>Dimensions</b>	100 cm
<b>Power supply</b>	Gas
<b>Type</b>	Gas
<b>EAN code</b>	8017709186616



## Aesthetics



<b>Aesthetics</b>	Renzo Piano
<b>Colour</b>	Stainless steel
<b>Finishing</b>	Gloss
<b>Material</b>	Stainless Steel
<b>Type of steel</b>	Polished
<b>Pan stands</b>	Stainless steel
<b>Pan Stand Coating</b>	EverShine
<b>Burner Coating</b>	EverShine
<b>Type of control setting</b>	Control knobs
<b>Control knobs position</b>	Front
<b>No. of controls</b>	6
<b>Controls colour</b>	Steel effect

## Program / Functions

<b>No. of gas cook zones</b>	6
<b>Total no. of cook zones</b>	6

## Technical Features



Left - Gas - UR - 3.60 kW
Rear left - Gas - Semi Rapid - 1.65 kW
Front left - Gas - AUX - 1.05 kW
Front right - Gas - Rapid - 2.30 kW

Rear right - Gas - AUX - 1.05 kW

Right - Gas - UR - 3.60 kW

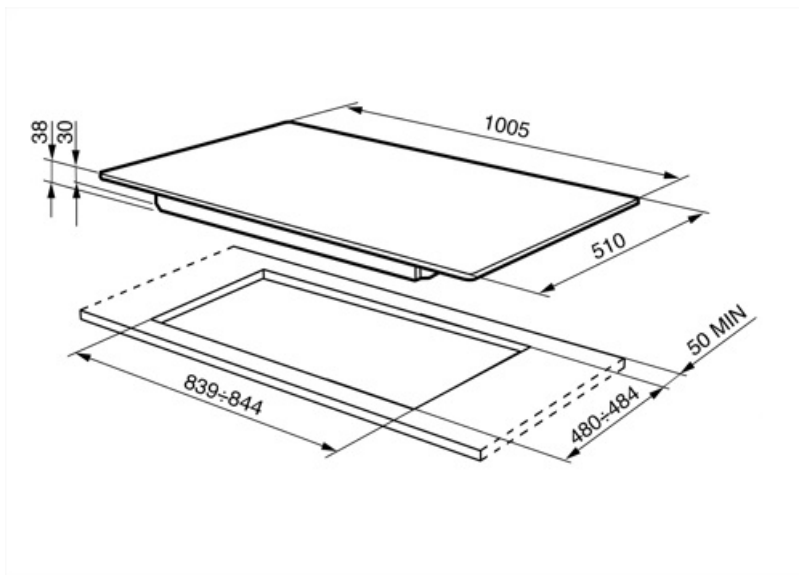
<b>Gas safety valves</b>	Yes	<b>Automatic Ignition</b>	Yes
--------------------------	-----	---------------------------	-----

## Electrical Connection

<b>Nominal power (W)</b>	1 W	<b>Frequency (Hz)</b>	50/60 Hz
<b>Voltage (V)</b>	220-240 V	<b>Power supply cable length</b>	120 cm

## Gas Connection





<b>Gas Type</b>	G20 Natural gas	<b>Gas connection rating (W)</b>	13250 W
<b>Gas connection</b>	Conical		



---

## Symbols glossary

---

- |  |  |   |   |
|--|--|---|---|
|  | Standard installation: Traditional installation in tabletop, suitable for any kitchen sets |  | Knobs control   |
|  | Ever Shine: is an invisible coating that makes the effected area highly resistant to heat. |  | Ultra rapid burners: Powerful ultra rapid burners offer up to 5kw of power. |