

# PGF30B



Product Family	Hob
Built-in type	Ultra-low profile
Dimensions	30 cm
Power supply	Electric
Type	Electric plates
EAN code	8017709138028



## Aesthetics



Aesthetic	Classica
Colour	Stainless steel
Finishing	Satin
Material	Stainless Steel
Type of steel	Brushed
Pan stands	Cast iron
Type of control setting	Control knobs
Control knob position	Front
Controls colour	Steel effect
Logo	Embossed

## Program / Functions

No. of electric plate cook zones	1
Power levels	9
Total no. of cook zones	1

## Options

Worktop Cut-Out	494x292 mm
-----------------	------------

## Technical Features

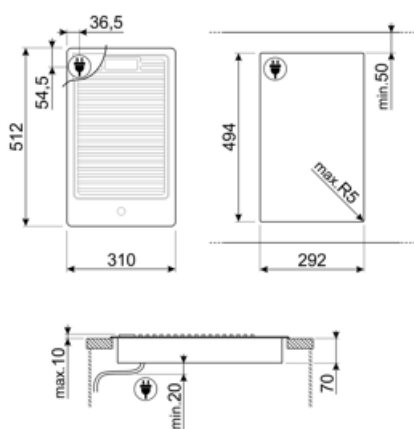
8th zone position	Central	8th zone power	1,80 kW
-------------------	---------	----------------	---------

## Electrical Connection

Power supply cable length	120 cm	Plug	Not present
---------------------------	--------	------	-------------

## Gas Connection

Gas connection	Cilindrical
----------------	-------------



---

## Compatible Accessories

---

**6MP1PGF**

6 Linea knobs for PGF hobs



**LGPGF-1**

Aluminium connecting strip for PGF



---

## Symbols glossary

---



Ultra-low profile: Installation of product with flat edge - height of 1 mm.



Heavy duty cast iron pan stands: for maximum stability and strength.



Knobs control