

# PGF30F



<b>Product Family</b>	Hob
<b>Built-in type</b>	Ultra-low profile
<b>Dimensions</b>	30 cm
<b>Power supply</b>	Electric
<b>Type</b>	Electric plates
<b>EAN code</b>	8017709141721



## Aesthetics



<b>Aesthetic</b>	Classic
<b>Colour</b>	Stainless steel
<b>Finishing</b>	Satin
<b>Material</b>	Stainless Steel
<b>Type of steel</b>	Brushed
<b>Type of control setting</b>	Control knobs
<b>Control knob position</b>	Front
<b>No. of controls</b>	1
<b>Controls colour</b>	Steel effect
<b>Logo</b>	Embossed

## Program / Functions

<b>No. of electric plate cook zones</b>	1
<b>Total no. of cook zones</b>	1

## Options

<b>Standard cut out</b>	494x292 mm
-------------------------	------------

## Technical Features



<b>8th zone position</b>	Central	<b>Residual heat indicator</b>	Yes
--------------------------	---------	--------------------------------	-----

Automatic switch off when overheat      Yes

## Accessories Included

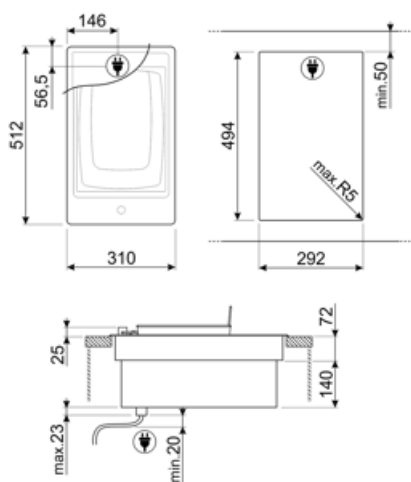
Other accessories      St/Steel lid

## Electrical Connection

Electrical connection rating (W)	2200 W	Frequency (Hz)	50/60 Hz
Current	16 A	Power supply cable length	120 cm
Voltage (V)	220-240 V	Plug	No

## Gas Connection

Gas connection	Cilindrical	Gas connection rating (W)	2200 W
----------------	-------------	---------------------------	--------



---

## Compatible Accessories

---

**6MP1PGF**

6 Linea knobs for PGF hobs



**LGPGF-1**





Aluminium connecting strip for PGF



---

## Symbols glossary

---

- |  |   |   |   |
|--|---|---|---|
|  | Ultra-low profile: Installation of product with flat edge - height of 1 mm.   |  | Knobs control   |
|  | Overheat protection: The safety system that automatically turns off the hob in case of overheating of the control unit. |  | Indication of residual heat: After the glass ceramic hob is switched off the residual heat indicator shows which of the heating zones still remains hot. When the temperature drops below 60 ° C, the indicator goes out. |