

PGF30F



Product Family	Hob
Built-in	Ultra-low profile
Dimensions	30 cm
Power supply	Electric
Type	Electric plates
EAN code	8017709141721



Aesthetics



Aesthetics	Classic
Colour	Stainless steel
Finishing	Brushed
Material	Stainless Steel
Type of steel	Brushed
Type of control setting	Control knobs
Control knobs position	Front
No. of controls	1
Controls colour	Steel effect

Programs / Functions

No. of electric plate cook zones	1
Total no. of cook zones	1

Options

Standard cut out	494x292 mm
------------------	------------

Technical Features



8th zone position	Central	Residual heat indicator	Yes
-------------------	---------	-------------------------	-----

Automatic switch off when overheat Yes

Accessories Included

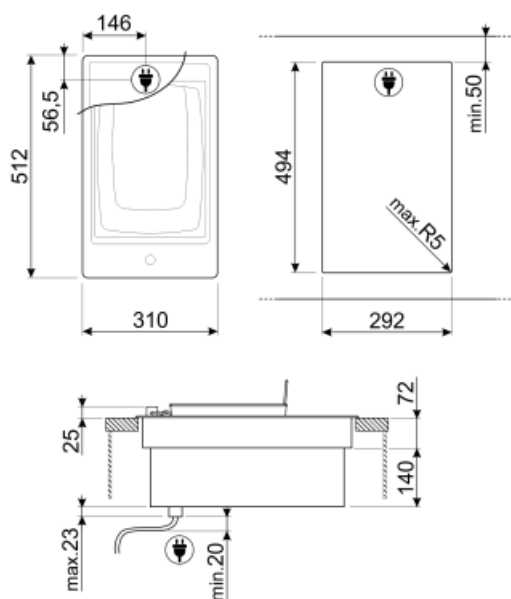
Other accessories St/Steel lid

Electrical Connection

Nominal power (W)	2200 W	Frequency (Hz)	50/60 Hz
Current	16 A	Power supply cable length	120 cm
Voltage (V)	220-240 V		

Gas Connection

Gas connection	Cilindrical	Gas connection rating (W)	2200 W
----------------	-------------	---------------------------	--------



Not included accessories



LGPGF-1





Aluminium connecting strip for PGF

6MP1PGF

6 Linea knobs for PGF hobs



Symbols glossary

- | | | | |
|--|---|---|---|
|  | Ultra-low profile: Installation of product with flat edge - height of 1 mm. |  | Overheat protection: The safety system that automatically turns off the hob in case of overheating of the control unit. |
|  | Indication of residual heat: After the glass ceramic hob is switched off the residual heat indicator shows which of the heating zones still remains hot. When the temperature drops below 60 ° C, the indicator goes out. |  | Knobs control |