

PGF30T-1



Product Family	Hob
Built-in	Ultra-low profile
Dimensions	30 cm
Power supply	Electric
Type	Teppanyaki
EAN code	8017709161910



Aesthetics



Aesthetics	Classic
Colour	Stainless steel
Finishing	Brushed
Material	Stainless Steel
Type of steel	Brushed
Type of control setting	Control knobs
Control knobs position	Front
No. of controls	2
Controls colour	Steel effect
Serigraphy colour	Black

Programs / Functions

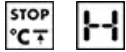
No. of induction cook zones	2
Power levels	9
Total no. of cook zones	2

Options



Standard cut out	494x292 mm	Cleaning option	Yes
Control Lock / Child Safety	Yes		

Technical Features



Front centre - Teppanyaki - 1.40 kW - Booster 1.80 kW

Rear centre - Teppanyaki - 1.40 kW - Booster 1.80 kW

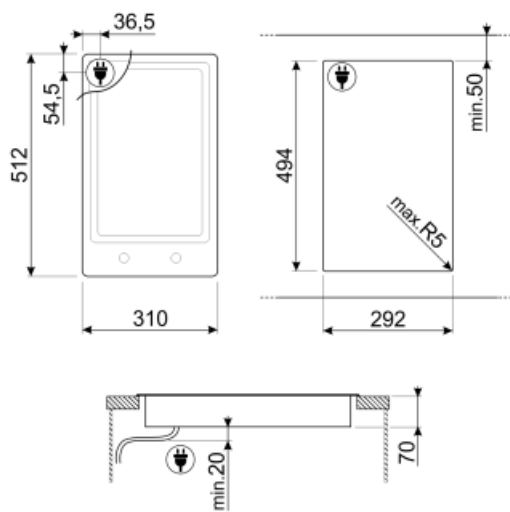
Automatic switch off when overheat Yes

Residual heat indicator Yes

Electrical Connection

Nominal power (W) 3000 W
 Current 13 A
 Voltage (V) 220-240 V

Type of electric cable Single phase
 Frequency (Hz) 50/60 Hz
 Power supply cable length 120 cm



Not included accessories



LGPGF-1

Aluminium connecting strip for PGF

6MP1PGF

6 Linea knobs for PGF hobs



Symbols glossary



Ultra-low profile: Installation of product with flat edge - height of 1 mm.



Child lock: some models are fitted with a device to lock the programme/cycle so it cannot be accidentally changed.



Overheat protection: The safety system that automatically turns off the hob in case of overheating of the control unit.



Indication of residual heat: After the glass ceramic hob is switched off the residual heat indicator shows which of the heating zones still remains hot. When the temperature drops below 60 ° C, the indicator goes out.



Knobs control