

# PGF31G-1



Product Family	Hob
Built-in type	Ultra-low profile
Dimensions	30 cm
Power supply	Gas
Type	Gas
EAN code	8017709161927



## Aesthetics



Aesthetic	Classica
Colour	Stainless steel
Finishing	Satin
Material	Stainless Steel
Type of steel	Brushed
Pan stands	Cast iron
Burners	Standard
Burners Material	Alluminium
Type of control setting	Control knobs
Control knob position	Front
No. of controls	2
Controls colour	Steel effect
Serigraphy colour	Black

## Programs / Functions main oven

No. of gas cook zones	1
Total no. of cook zones	1

## Options

Worktop Cut-Out	494x292 mm
-----------------	------------

## Technical Features

UR

Central - Gas - UR - 5.20 kW

Gas safety valves Yes Automatic Ignition Yes

## Accessories Included

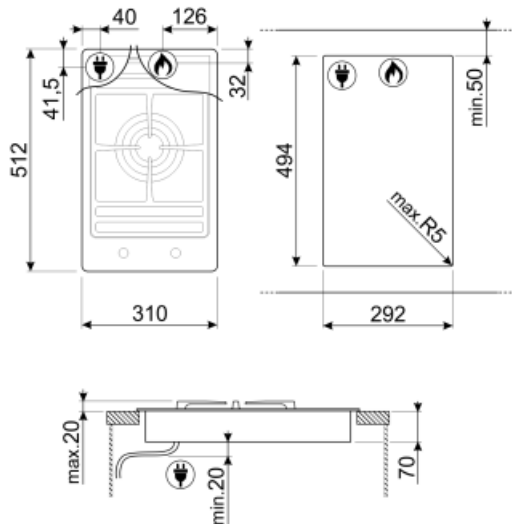
Cast iron wok support 1

## Electrical Connection

Plug	Not present	Frequency (Hz)	50/60 Hz
Electrical connection rating (W)	1 W	Power supply cable length	120 cm
Voltage (V)	220-240 V		

## Gas Connection

Gas Type	G20 Natural gas	Other gas nozzles included	G30 GPL Liquid gas, G110 City gas
Gas connection	Cilindrical	Gas connection rating (W)	5200 W



---

## Not included accessories

---



**GRW**  
Wok support



**GRM**  
Coffee machine support



**6MP1PGF**  
6 Linea knobs for PGF hobs





**WOKGHU**  
Cast iron WOK Support

**LGPGF-1**  
Aluminium connecting strip for PGF

---

## Symbols glossary (TT)

---

- |  |   |   |   |
|--|---|---|---|
|  | Ultra-low profile: Installation of product with flat edge - height of 1 mm. |  | Heavy duty cast iron pan stands: for maximum stability and strength.        |
|  | Knobs control   |  | Ultra rapid burners: Powerful ultra rapid burners offer up to 5kw of power. |