

# PGF32G



Product Family	Hob
Built-in	Ultra-low profile
Dimensions	30 cm
Power supply	Gas
Type	Gas
EAN code	8017709138059



## Aesthetics



Aesthetics	Classic
Colour	Stainless steel
Finishing	Brushed
Material	Stainless Steel
Type of steel	Brushed
Pan stands	Cast iron
Type of control setting	Control knobs
Control knobs position	Front
No. of controls	2
Controls colour	Steel effect

## Options

Standard cut out	494x292 mm
------------------	------------

## Technical Features

Front centre - Gas - AUX - 1.05 kW			
Rear centre - Gas - Rapid - 2.50 kW			
Gas safety valves	Yes	Automatic Ignition	Yes

## Accessories Included

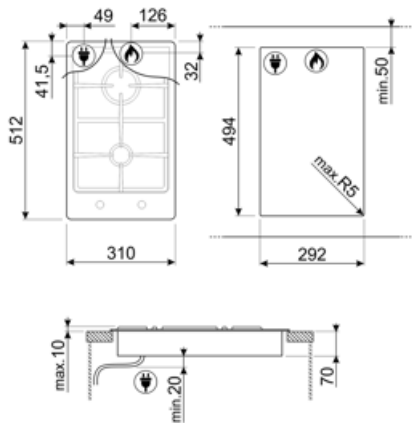
Cast iron wok support	1
-----------------------	---

## Electrical Connection

Frequency (Hz)	50/60 Hz	Power supply cable length	120 cm
----------------	----------	---------------------------	--------

## Gas Connection

Gas Type	G20 Natural gas	Other gas connections provided	Conical
Gas connection	Cilindrical	Gas connection rating (W)	3550 W



---

## Not included accessories

---



**GRW**  
Wok support



**GRM**  
Gas hobs moka support



**6MP1PGF**  
6 Linea knobs for PGF hobs



**WOKGHU**  
Cast-Iron WOK Support

**LGPGF-1**  
Aluminium connecting strip for PGF

## Symbols glossary

---

- |  |   |   |  |
|--|---|---|--|
|  | Ultra-low profile: Installation of product with flat edge - height of 1 mm. |  | Heavy duty cast iron pan stands: for maximum stability and strength. |
|  | Knobs control   |   |  |