

PGF32G



Product Family	Hob
Built-in type	Ultra-low profile
Dimensions	30 cm
Power supply	Gas
Type	Gas
EAN code	8017709138059



Aesthetics



Aesthetic	Classica
Colour	Stainless steel
Finishing	Satin
Material	Stainless Steel
Type of steel	Brushed
Pan stands	Cast iron
Type of control setting	Control knobs
Control knob position	Front
No. of controls	2
Controls colour	Steel effect
Logo	Embossed

Program / Functions

No. of gas cook zones	2
Total no. of cook zones	2

Options

Worktop Cut-Out	494x292 mm
-----------------	------------

Technical Features

Front-centre - Gas - AUX - 1.05 kW

Rear-centre - Gas - Rapid - 2.50 kW

Gas safety valves Yes Automatic Ignition Yes

Accessories included

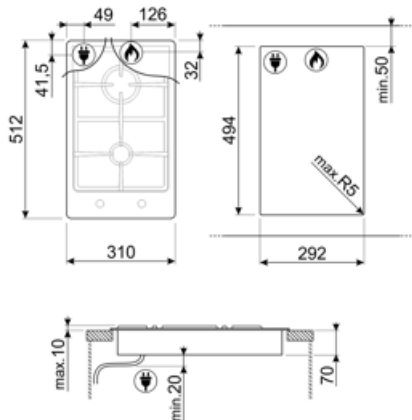
Cast iron wok support 1

Electrical Connection

Frequency (Hz) 50/60 Hz Plug Not present
 Power supply cable length 120 cm

Gas Connection

Gas Type G20 Natural gas Other gas connections provided Conical
 Gas connection Cylindrical Gas connection rating (W) 3550 W



Compatible Accessories

6MP1PGF

6 Linea knobs for PGF hobs



GRW

Wok support



WOKGHU

Cast iron WOK Support



GRM

Coffee machine support



LGPGF-1

Aluminium connecting strip for PGF



Symbols glossary

- | | | | |
|--|---|---|--|
|  | Ultra-low profile: Installation of product with flat edge - height of 1 mm. |  | Heavy duty cast iron pan stands: for maximum stability and strength. |
|  | Knobs control | | |