

# PS906SA



Product Family	Hob
Built-in type	Ultra-low profile
Dimensions	90 cm
Power supply	Gas
Type	Gas
EAN code	8017709266448



## Aesthetics



Aesthetic	Classica
Colour	Stainless steel
Finishing	Satin
Material	Stainless Steel
Type of steel	Brushed
Pan stands	Cast iron
Burners	Standard
Burners Material	Alluminium
Type of control setting	Control knobs
Control knob position	Front
No. of controls	6
Controls colour	Steel effect
Serigraphy colour	Black

## Programs / Functions main oven

No. of gas cook zones	5
Total no. of cook zones	5

## Options

Worktop Cut-Out	490x878 mm
-----------------	------------

## Technical Features

**UR**

Left - Gas - 2UR (dual) - 5.00 kW  
 Rear-centre - Gas - Rapid - 2.50 kW  
 Front-centre - Gas - AUX - 1.05 kW  
 Rear-right - Gas - Rapid - 2.50 kW  
 Front-right - Gas - AUX - 1.05 kW  
 Gas safety valves Yes

**Automatic Ignition** Yes

## Accessories Included

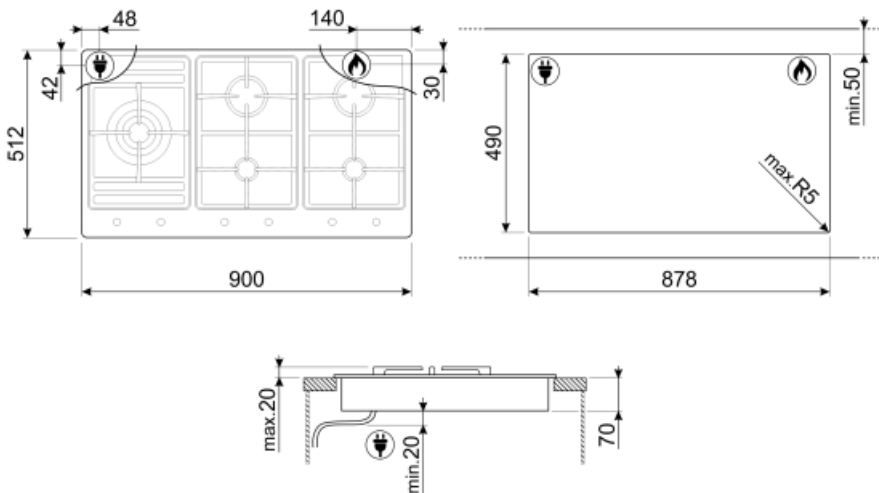
Cast iron wok support 1

## Electrical Connection

<b>Plug</b>	Not present	<b>Type of electric cable installed</b>	Yes, Single phase
<b>Electrical connection rating (W)</b>	1 W	<b>Frequency (Hz)</b>	50/60 Hz
<b>Voltage (V)</b>	220-240 V	<b>Power supply cable length</b>	120 cm

## Gas Connection





<b>Gas Type</b>	G30 GPL Liquid gas	<b>Other gas connections provided</b>	Conical
<b>Gas connection</b>	Cilindrical	<b>Gas connection rating (W)</b>	12000 W
<b>Other gas nozzles included</b>	G110 City gas		



---

## Symbols glossary (TT)

---

- |  |   |   |  |
|--|---|---|--|
|  | Ultra-low profile: Installation of product with flat edge - height of 1 mm. |  | Heavy duty cast iron pan stands: for maximum stability and strength. |
|  | Ultra rapid burners: Powerful ultra rapid burners offer up to 5kw of power. |  | Knobs control  |