

# PSA906-5



Product Family	Hob
Built-in type	Ultra-low profile
Dimensions	90 cm
Power supply	Mixed
Type	Gas
EAN code	8017709247904



## Aesthetics



Aesthetic	Classic
Colour	Stainless steel
Finishing	Satin
Material	Stainless Steel
Type of steel	Brushed
Pan stands	Cast iron
Burners	Standard
Burners Material	Alluminium
Type of control setting	Control knobs
Control knob position	Front
No. of controls	6
Controls colour	Silver
Serigraphy colour	Black

## Programs / Functions

Total no. of cook zones	5
No. of gas cook zones	5

## Options

Standard cut out	490x878 mm
------------------	------------

## Technical Features

**UR**

Left - Gas - 2UR (dual) - 4.50 kW  
 Front-centre - Gas - AUX - 1.05 kW  
 Rear-centre - Gas - Rapid - 2.50 kW  
 Rear-right - Gas - Rapid - 2.50 kW  
 Front-right - Gas - AUX - 1.05 kW  
 Gas safety valves Yes

**Automatic Ignition** Yes

## Accessories Included

Cast iron wok support 1

## Electrical Connection

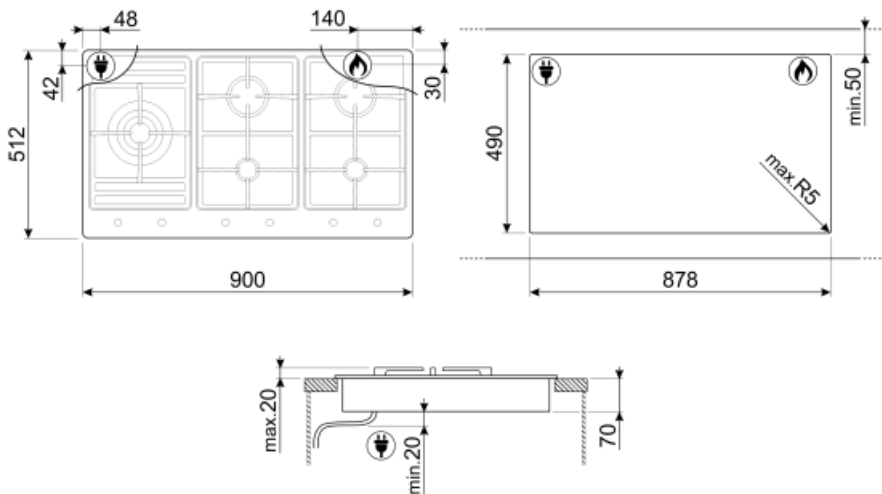
**Plug** (I) Australia  
**Electrical connection rating (W)** 1 W  
**Voltage (V)** 220-240 V  
**Type of electric cable** Single phase

**Frequency (Hz)** 50/60 Hz  
**Power supply cable length** 120 cm  
**Plug** I

## Gas Connection

**Gas Type** G20 Natural gas  
**Gas connection** Conical  
**Other gas nozzles included** G30 GPL Liquid gas

**Other gas connections provided** Cylindrical  
**Gas connection rating (W)** 12583.3 W



---

## Not included accessories

---



**GRW**  
Wok support



**GRM**  
Gas hobs moka support



**WOKGHU**  
Cast-Iron WOK Support







**6MP1PGF**  
6 Linea knobs for PGF hobs

---

## Symbols glossary (TT)

---

- |  |   |   |  |
|--|---|---|--|
|  | Ultra-low profile: Installation of product with flat edge - height of 1 mm. |  | Heavy duty cast iron pan stands: for maximum stability and strength. |
|  | Ultra rapid burners: Powerful ultra rapid burners offer up to 5kw of power. |  | Knobs control  |