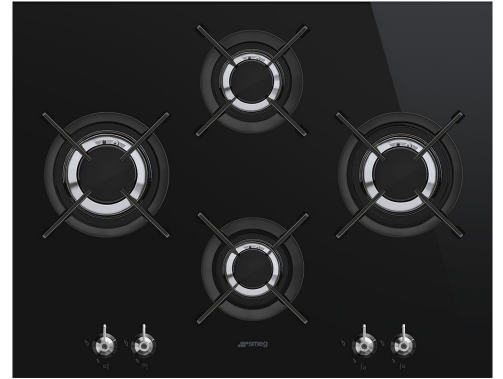


# PV364LCN

|                       |                                    |
|-----------------------|------------------------------------|
| <b>Product Family</b> | Hob                                |
| <b>Built-in</b>       | Ultra-low profile or Fully Flushed |
| <b>Dimensions</b>     | 65 cm                              |
| <b>Power supply</b>   | Gas                                |
| <b>Type</b>           | Gas                                |
| <b>EAN code</b>       | 8017709233501                      |



## Aesthetics



|                                |                   |
|--------------------------------|-------------------|
| <b>Aesthetics</b>              | Classic           |
| <b>Colour</b>                  | Black             |
| <b>Finishing</b>               | Glass             |
| <b>Material</b>                | Glass             |
| <b>Glass Type</b>              | Ceramic           |
| <b>Glass edge</b>              | Straight edge     |
| <b>Glass on Steel</b>          | Yes               |
| <b>Pan stands</b>              | Cast iron         |
| <b>Burners</b>                 | Smeg Contemporary |
| <b>Burner Material</b>         | Brass             |
| <b>Burner Coating</b>          | Nickel            |
| <b>Type of control setting</b> | Control knobs     |
| <b>Control knobs position</b>  | Front             |
| <b>No. of controls</b>         | 4                 |
| <b>Controls colour</b>         | Steel effect      |
| <b>Serigraphy colour</b>       | Grey              |

## Program / Functions

|                                |   |
|--------------------------------|---|
| <b>No. of gas cook zones</b>   | 4 |
| <b>Total no. of cook zones</b> | 4 |

## Options

|                         |                    |
|-------------------------|--------------------|
| <b>Standard cut out</b> | 482-486x560-564 mm |
|-------------------------|--------------------|

## Technical Features

Left - Gas - Rapid - 3.00 kW

Rear centre - Gas - Semi Rapid - 1.70 kW

Front centre - Gas - AUX - 1.10 kW

Right - Gas - Rapid - 2.60 kW

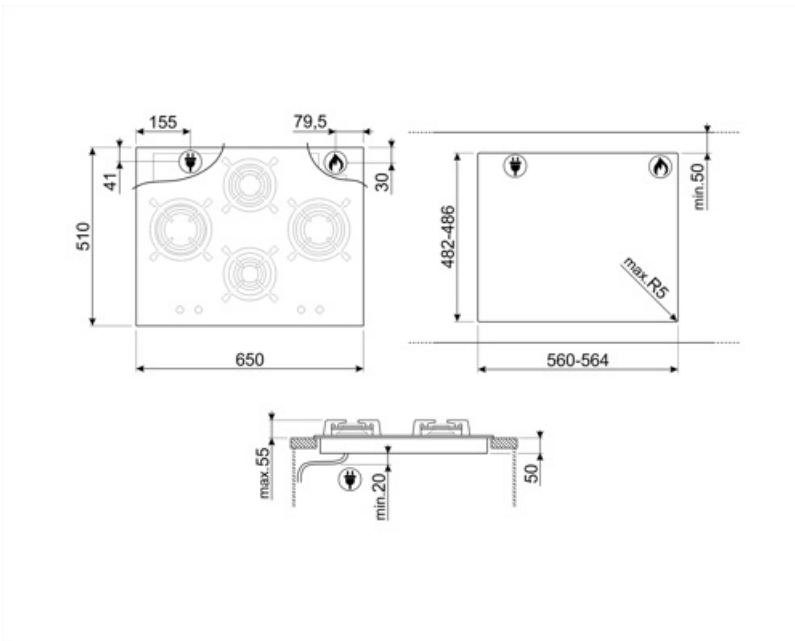
Gas safety valves                      Yes                                      Automatic Ignition                      Yes

## Electrical Connection

|                        |              |                           |          |
|------------------------|--------------|---------------------------|----------|
| Nominal power (W)      | 1 W          | Frequency (Hz)            | 50/60 Hz |
| Voltage (V)            | 220-240 V    | Power supply cable length | 120 cm   |
| Type of electric cable | Single phase |                           |          |

## Gas Connection

|                            |                     |                                |         |
|----------------------------|---------------------|--------------------------------|---------|
| Gas Type                   | G20/G25 natural gas | Other gas connections provided | Conical |
| Gas connection             | Cilindrical         | Gas connection rating (W)      | 8400 W  |
| Other gas nozzles included | G30 GPL Liquid gas  |                                |         |



---

## Compatible Accessories

---

### 5MP1GOG

Hob knobs set Linea knobs for Gas on Glass hobs (5 knobs)



### GRM

Gas hobs moka support



### LGCN

Connecting Strip Built-in hobs, stainless steel, 475/495 mm



### 5MP1GOGB3



### GRW

Wok support



### WOKGHU




Cast-Iron WOK Support



---

## Symbols glossary

---

- |  |  |   |  |
|--|--|---|--|
|  | Heavy duty cast iron pan stands: for maximum stability and strength. |  | Reinforced base: A reinforced base, developed exclusively by Smeg, consists of a steel layer fixed to the underside of the glass surface of all gas on glass hobs. |
|  | Knobs control  |   |  |