

PV364LCNAU

Product Family	Hob
Built-in	Ultra-low profile or Fully Flushed
Dimensions	65 cm
Power supply	Gas
Type	Gas
EAN code	8017709259068



Aesthetics



Aesthetics	Classic
Colour	Black
Finishing	Glass
Material	Glass
Glass Type	Ceramic
Glass edge	Straight edge
Glass on Steel	Yes
Pan stands	Cast iron
Burners	Smeg Contemporary
Burner Material	Brass
Burner Coating	Nickel
Type of control setting	Control knobs
Control knobs position	Front
No. of controls	4
Controls colour	Black
Serigraphy colour	Grey

Options

Standard cut out	482-486x560-564 mm
-------------------------	--------------------

Technical Features

Left - Gas - Rapid - 3.00 kW
Rear centre - Gas - Semi Rapid - 1.70 kW

Front centre - Gas - AUX - 1.10 kW

Right - Gas - Rapid - 2.60 kW

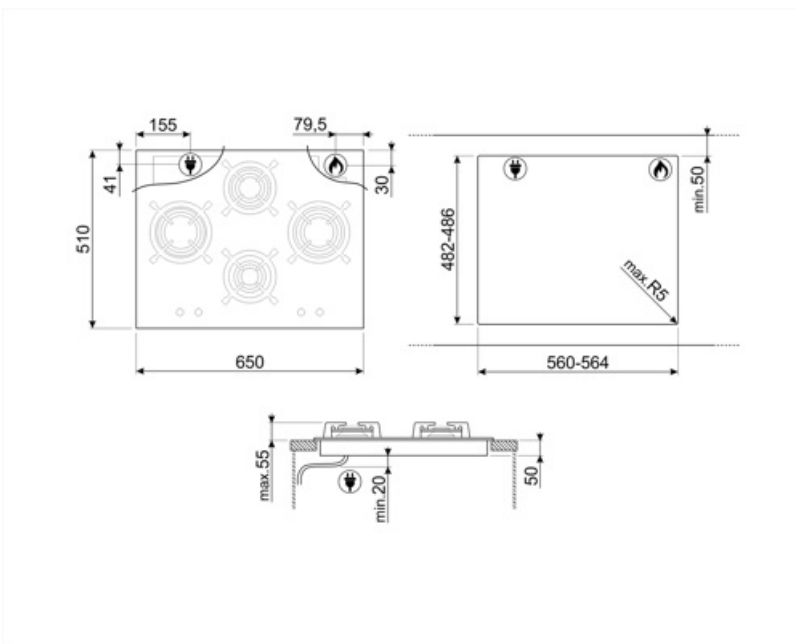
Gas safety valves Yes Automatic Ignition Yes

Electrical Connection

Plug	(I) Australia	Type of electric cable supplied	Yes, Single phase
Nominal power (W)	1 W	Frequency (Hz)	50/60 Hz
Voltage (V)	220-240 V	Power supply cable length	120 cm
Type of electric cable	Single phase	Plug	I

Gas Connection

Gas Type	G20 Natural gas	Other gas connections provided	Cylindrical
Gas connection	Conical	Gas connection rating (W)	8361,11 W
Other gas nozzles included	G30 GPL Liquid gas		



Not included accessories

5MP1GOG

Hob knobs set Linea knobs for Gas on Glass hobs (5 knobs)



GRM

Gas hobs moka support



WOKGHU

Cast-Iron WOK Support



5MP1GOGB3



GRW

Wok support



Symbols glossary



Heavy duty cast iron pan stands: for maximum stability and strength.



Knobs control



Reinforced base: A reinforced base, developed exclusively by Smeg, consists of a steel layer fixed to the underside of the glass surface of all gas on glass hobs.