

# PV664LCNRAU



Product Family	Hob
Built-in type	Traditional
Dimensions	65 cm
Power supply	Gas
Type	Gas
EAN code	8017709258054



## Aesthetics



Aesthetic	Dolce Stil Novo
Colour	Black
Finishing	Glass
Material	Glass
Glass type	Ceramic
Glass on Steel	Yes
Pan stands	Cast iron
Burner Coating	Black Ceram
Type of control setting	Control knobs
Control knob position	Front
No. of controls	4
Controls colour	Black
Components finishing	Copper
Serigraphy colour	Grey

## Program / Functions

No. of gas cook zones	4
Total no. of cook zones	4

## Options

Standard cut out	482-486x560-564 mm
------------------	--------------------

## Technical Features

Left - Gas - Rapid - 3.10 kW

Rear-centre - Gas - Semi Rapid - 1.70 kW

Front-centre - Gas - AUX - 1.10 kW

Right - Gas - Rapid - 2.60 kW

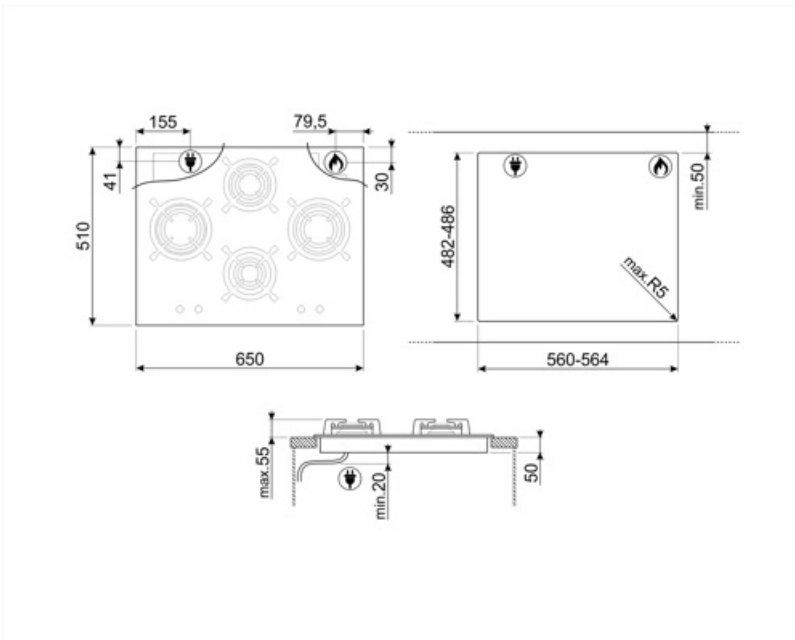
Gas safety valves                      Yes    Automatic Ignition                      Yes

## Electrical Connection

Plug	(I) Australia	Frequency (Hz)	50/60 Hz
Electrical connection rating (W)	1 W	Power supply cable length	120 cm
Voltage (V)	220-240 V	Plug	I
Type of electric cable	Single phase		

## Gas Connection

Gas Type	G20 Natural gas	Other gas connections provided	Cylindrical
Gas connection	Conical	Gas connection rating (W)	8361,11 W
Other gas nozzles included	G30 GPL Liquid gas		



---

## Compatible Accessories

---



**GRM**

Gas hobs moka support



**GRW**

Wok support







**WOKGHU**

Cast-Iron WOK Support

---

## Symbols glossary

---

- |  |  |   |  |
|--|--|---|--|
|  | Standard installation: Traditional installation in tabletop, suitable for any kitchen sets   |  | Heavy duty cast iron pan stands: for maximum stability and strength. |
|  | Reinforced base: A reinforced base, developed exclusively by Smeg, consists of a steel layer fixed to the underside of the glass surface of all gas on glass hobs. |  | Knobs control  |

## Benefit (TT)

---

### Gas hobs

Consistent heat source control and easy, immediate temperature adjustment

Equipped with a thermocouple, the gas supply is cut off if the flame is extinguished for greater safety.

### Glass

Brightness and elegance in the kitchen: the acid-etched glass gives the surface a refined, modern look that enhances the space.

### Ceramic

Stability and design even up to 700°C: the cooktop material resists high temperatures without deforming, maintaining aesthetics and functionality even with intensive use.

### Cast iron

Solid and sturdy, easy to clean and maintain every day, thanks to the cast-iron pan supports—an emblem of long-lasting efficiency and durability.

### Smeg Contemporanea

Optimal cooking with every dish: burners combine high performance, efficiency, and practicality, ensuring precise, even results even with intensive use.

Accurate power adjustment via knobs, for more precise cooking level control

### Control knob position frontal

Instant and intuitive control thanks to front controls, easily accessible for practical use.

4 burners for every need: cook with precision and versatility thanks to different power levels, ideal for any pot and for managing multiple dishes simultaneously.

### Gas safety valves

Automatic protection against gas leaks: the thermocouple stops gas flow in the absence of flame, ensuring a safe environment even during unexpected shutdowns.

### Glass on steel

Safety even in case of breakage: a stainless steel sheet beneath the glass prevents fragmentation, allowing continued use until replacement.