

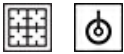
PX364LMBAU



Product Family	Hob
Built-in type	Traditional
Dimensions	60 cm
Type	Gas
EAN code	8017709321642



Aesthetics



Aesthetic	Classic
Colour	Black
Finishing	Matt
Material	Enamelled
Serie	New
Pan stands	Cast iron
Burners	Smeg Contemporary
Burners Material	Alluminium
Burner Coating	Black Ceram
Type of control setting	Control knobs
Control knob position	Front
No. of controls	4
Controls colour	Matt Black
Serigraphy colour	Silver

Programs / Functions

No. of gas cook zones	4
Total no. of cook zones	4

Options



Standard cut out	478-482x555-560 mm
------------------	--------------------

Technical Features

UR

Left - Gas - UR - 3.50 kW

Rear-centre - Gas - Semi Rapid - 1.80 kW

Front-centre - Gas - AUX - 1.10 kW

Right - Gas - Rapid - 2.60 kW

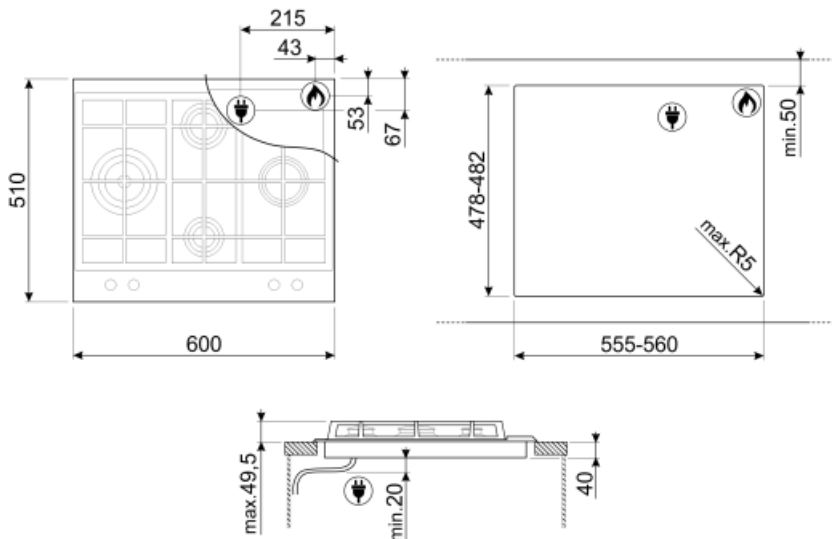
Gas safety valves	Yes	Automatic Ignition	Yes
-------------------	-----	--------------------	-----

Electrical Connection

Plug	(I) Australia	Frequency (Hz)	50/60 Hz
Electrical connection rating (W)	1 W	Power supply cable length	120 cm
Voltage (V)	220-240 V	Plug	I
Type of electric cable	Single phase		

Gas Connection

Gas Type	G20 Natural gas	Other gas nozzles included	G30 GPL Liquid gas
Gas connection	Conical	Gas connection rating (W)	9500 W



Not included accessories



GRW
Wok support



WOKGHU
Cast-Iron WOK Support



TPK
Stainless steel grill plate to cook
Teppanyaki dishes

Symbols glossary (TT)

- | | | | |
|--|--|---|---|
|  | Standard installation: Traditional installation in tabletop, suitable for any kitchen sets |  | Heavy duty cast iron pan stands: for maximum stability and strength. |
|  | CUT_OUT_STANDARD_72dpi |  | Ultra rapid burners: Powerful ultra rapid burners offer up to 5kw of power. |
|  | Knobs control | | |