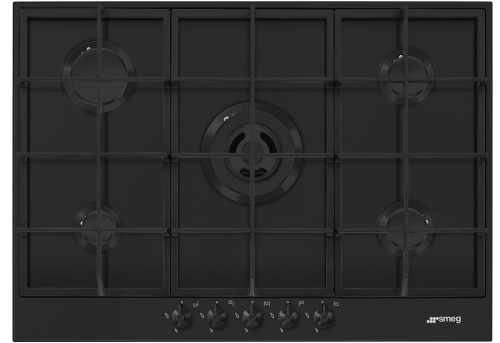


# PX375MB



Product Family	Hob
Built-in type	Traditional
Dimensions	70/75 cm
Power supply	Gas
Type	Gas
EAN code	8017709321628



## Aesthetics



Aesthetic	Classica
Colour	Matt Black
Finishing	Matt black
Material	Enamelled
Serie	New
Pan stands	Cast iron
Burners	Smeg Contemporary
Burners Material	Alluminium
Burner Coating	Black Ceram
Type of control setting	Control knobs
Control knob position	Front
No. of controls	5
Controls colour	Matt Black
Serigraphy colour	Silver

## Options



Worktop Cut-Out	478-482x555-560 mm
-----------------	--------------------

## Technical Features



Front-left - Gas - AUX - 1.10 kW
----------------------------------

Rear-left - Gas - Rapid - 2.60 kW

Central - Gas - UR - 4.00 kW

Rear-right - Gas - Semi Rapid - 1.80 kW

Front-right - Gas - Semi Rapid - 1.80 kW

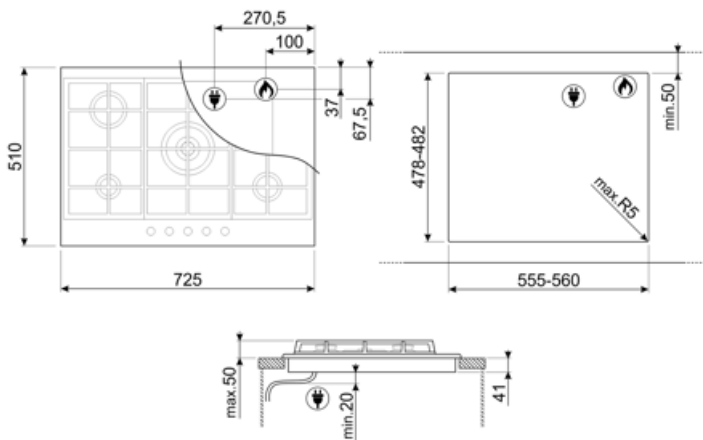
Gas safety valves                      Yes    Automatic Ignition                      Yes

## Electrical Connection

Plug	Not present	Type of electric cable installed	Yes, Single phase
Electrical connection rating (W)	1 W	Frequency (Hz)	50/60 Hz
Voltage (V)	220-240 V	Power supply cable length	120 cm

## Gas Connection

Gas Type	G20 Natural gas	Other gas connections provided	Conical
Gas connection	Cilindrical	Gas connection rating (W)	11300 W
Other gas nozzles included	G30 GPL Liquid gas		



---

## Not included accessories

---



**GRW**  
Wok support



**WOKGHU**  
Cast iron WOK Support



**TPK**  
Stainless steel grill plate to cook  
Teppanyaki dishes

---

## Symbols glossary (TT)

---

- |  |  |   |   |
|--|--|---|---|
|  | Standard installation: Traditional installation in tabletop, suitable for any kitchen sets |  | Heavy duty cast iron pan stands: for maximum stability and strength.        |
|  | CUT_OUT_STANDARD_72dpi   |  | Ultra rapid burners: Powerful ultra rapid burners offer up to 5kw of power. |
|  | Knobs control  |   |   |