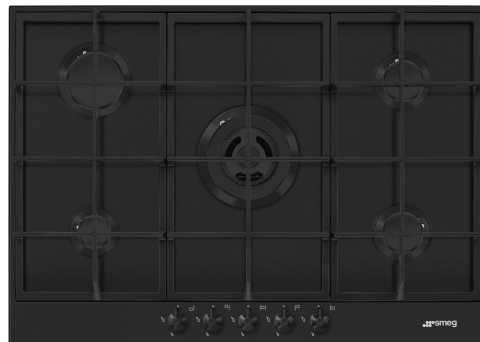


# PX375MB



Product Family	Hob
Built-in type	Traditional
Dimensions	70/75 cm
Power supply	Gas
Type	Gas
EAN code	8017709321628



## Aesthetics



Aesthetic	Classica
Serie	New
Colour	Matt Black
Finishing	Matt black
Material	Enamelled
Pan stands	Cast iron
Burners	Smeg Contemporary
Burners Material	Alluminium
Burner Coating	Black Ceram
Type of control setting	Control knobs
Control knob position	Front
No. of controls	5
Controls colour	Matt Black
Logo	Silk screen
Serigraphy colour	Silver

## Program / Functions

No. of gas cook zones	5
Total no. of cook zones	5

## Options



Worktop Cut-Out	478-482x555-560 mm
-----------------	--------------------

## Technical Features

**UR**

Front-left - Gas - AUX - 1.10 kW  
 Rear-left - Gas - Rapid - 2.60 kW  
 Central - Gas - UR - 4.00 kW  
 Rear-right - Gas - Semi Rapid - 1.80 kW  
 Front-right - Gas - Semi Rapid - 1.80 kW

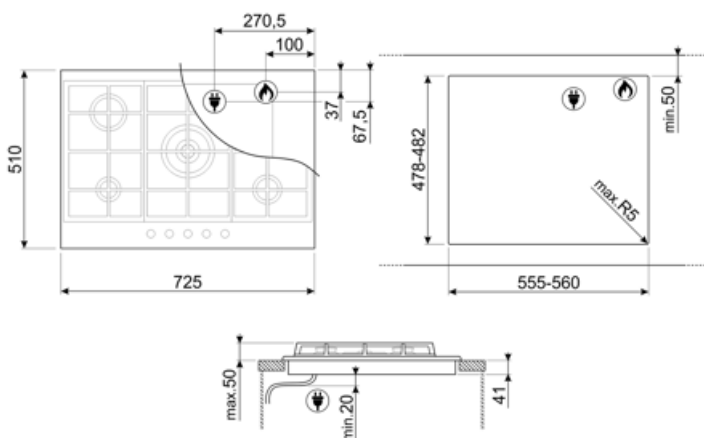
**Gas safety valves** Yes **Automatic Ignition** Yes

## Electrical Connection

<b>Electrical connection rating (W)</b>	1 W	<b>Frequency (Hz)</b>	50/60 Hz
<b>Voltage (V)</b>	220-240 V	<b>Power supply cable length</b>	120 cm
<b>Type of electric cable installed</b>	Yes, Single phase	<b>Plug</b>	Not present

## Gas Connection

<b>Gas Type</b>	G20 Natural gas	<b>Other gas connections provided</b>	Conical
<b>Gas connection</b>	Cilindrical	<b>Gas connection rating (W)</b>	11300 W
<b>Other gas nozzles included</b>	G30 GPL Liquid gas		



---

## Compatible Accessories

---



**GRW**  
Wok support



**WOKGHU**  
Cast iron WOK Support

---

## Alternative products

---



PX375

Colour: Stainless steel

---

## Symbols glossary

---

- |  |   |   |  |
|--|---|---|--|
|  | Standard installation: Traditional installation in tabletop, suitable for any kitchen sets. |  | Heavy duty cast iron pan stands: for maximum stability and strength. |
|  | Knobs control   |  | CUT_OUT_STANDARD_72dpi   |
|  | Ultra rapid burners: Powerful ultra rapid burners offer up to 5kw of power.                 |   |  |