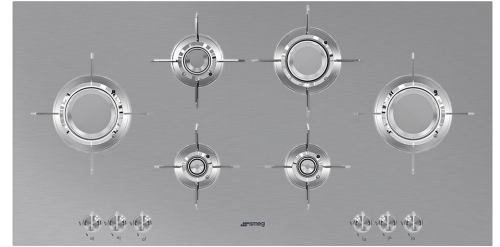


# PXL6106

Product Family	Hob
Built-in type	Ultra-low profile or Fully Flushed
Dimensions	100 cm
Power supply	Gas
Type	Gas
EAN code	8017709220631



## Aesthetics



Aesthetic	Dolce Stil Novo
Colour	Stainless steel
Finishing	Satin
Material	Stainless Steel
Type of steel	Brushed
Pan stands	Stainless steel
Pan Stand Coating	Titanium
Burners	Laminate
Burners Material	Brass
Burner Coating	Nichelato
Type of control setting	Control knobs
Control knob position	Front
No. of controls	6
Controls colour	Steel effect
Serigraphy colour	Black
Alternative colours available	Black

## Programme / Functions

Total no. of cook zones	6
No. of gas cook zones	6

## Options

Worktop Cut-Out	482-486x880-884 mm
-----------------	--------------------

## Technical Features



Centre-left - Gas - UR - 3.50 kW  
 Rear-left - Gas - Semi Rapid - 1.60 kW  
 Front-left - Gas - AUX - 1.00 kW  
 Rear-right - Gas - Rapid - 2.40 kW  
 Front-right - Gas - AUX - 1.00 kW  
 Centre-right - Gas - UR - 3.50 kW

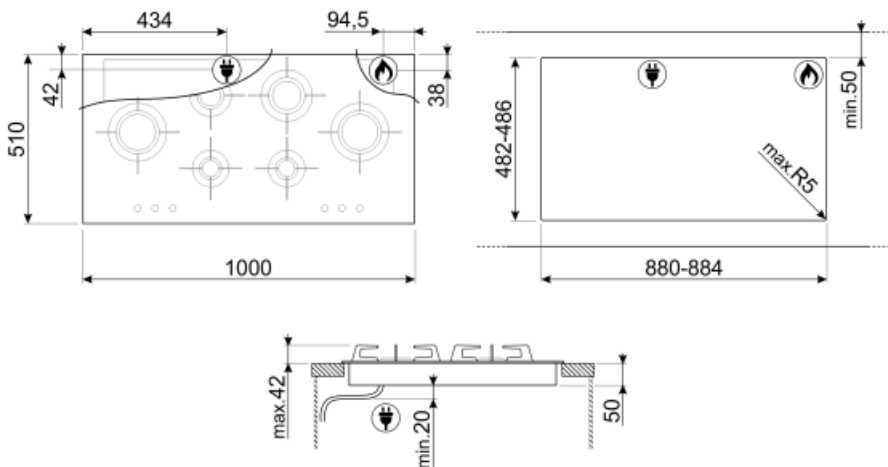
Gas safety valves                      Yes                                      Automatic Ignition                      Yes

## Electrical Connection

Plug	Not present	Type of electric cable installed	Yes, Single phase
Electrical connection rating (W)	1 W	Frequency (Hz)	50/60 Hz
Voltage (V)	220-240 V	Power supply cable length	120 cm

## Gas Connection

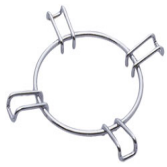
Gas Type	G20 Natural gas	Other gas connections provided	Conical
Gas connection	Cilindrical	Gas connection rating (W)	13100 W
Other gas nozzles included	G25 Natural gas, G30 GPL Liquid gas		



---

## Not included accessories

---



**GRW**  
Wok support



**WOKGHU**  
Cast iron WOK Support

**6MP1BF**  
6 Linea knobs kit for hobs with blade  
flame



**GRM**  
Coffee machine support



**6MP1BFB3**



**TPK**  
Stainless steel grill plate to cook  
Teppanyaki dishes



## Symbols glossary (TT)

---



Ultra rapid burners: Powerful ultra rapid burners offer up to 5kw of power.



Knobs control