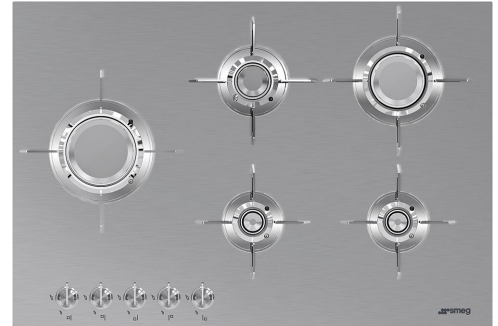


PXL675L

| | |
|-----------------------|------------------------------------|
| Product Family | Hob |
| Built-in type | Ultra-low profile or Fully Flushed |
| Dimensions | 70/75 cm |
| Power supply | Gas |
| Type | Gas |
| EAN code | 8017709217808 |



Aesthetics



| | |
|--------------------------------------|-----------------|
| Aesthetic | Dolce Stil Novo |
| Colour | Stainless steel |
| Finishing | Satin |
| Material | Stainless Steel |
| Type of steel | Brushed |
| Pan stands | Stainless steel |
| Pan Stand Coating | Titanium |
| Burners | Laminate |
| Burners Material | Brass |
| Burner Coating | Nichelato |
| Type of control setting | Control knobs |
| Control knob position | Front |
| No. of controls | 5 |
| Controls colour | Steel effect |
| Logo | Silk screen |
| Serigraphy colour | Black |
| Alternative colours available | Black |

Program / Functions

| | |
|--------------------------------|---|
| No. of gas cook zones | 5 |
| Total no. of cook zones | 5 |

Options

Worktop Cut-Out

482-486x700-704 mm

Technical Features

UR

Centre-left - Gas - UR - 3.50 kW

Rear-centre - Gas - Semi Rapid - 1.60 kW

Front-centre - Gas - AUX - 1.00 kW

Rear-right - Gas - Rapid - 2.50 kW

Front-right - Gas - AUX - 1.00 kW

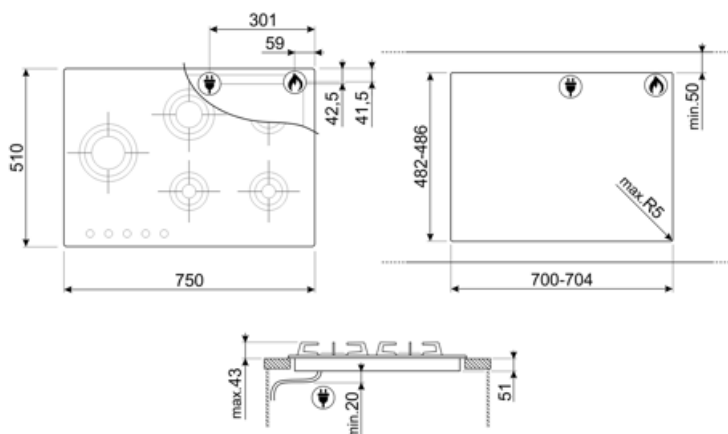
| | | | |
|-------------------|-----|--------------------|-----|
| Gas safety valves | Yes | Automatic Ignition | Yes |
|-------------------|-----|--------------------|-----|

Electrical Connection

| | | | |
|----------------------------------|-------------------|---------------------------|-------------|
| Electrical connection rating (W) | 1 W | Frequency (Hz) | 50/60 Hz |
| Voltage (V) | 220-240 V | Power supply cable length | 120 cm |
| Type of electric cable installed | Yes, Single phase | Plug | Not present |

Gas Connection

| | | | |
|----------------------------|-------------------------------------|--------------------------------|---------|
| Gas Type | G20 Natural gas | Other gas connections provided | Conical |
| Gas connection | Cilindrical | Gas connection rating (W) | 9600 W |
| Other gas nozzles included | G25 Natural gas, G30 GPL Liquid gas | | |



Compatible Accessories

6MP1BF

6 Linea knobs kit for hobs with blade flame



GRM

Coffee machine support



WOKGHU

Cast iron WOK Support



6MP1BFB3



GRW

Wok support



Symbols glossary



Knobs control



Ultra rapid burners: Powerful ultra rapid burners offer up to 5kw of power.