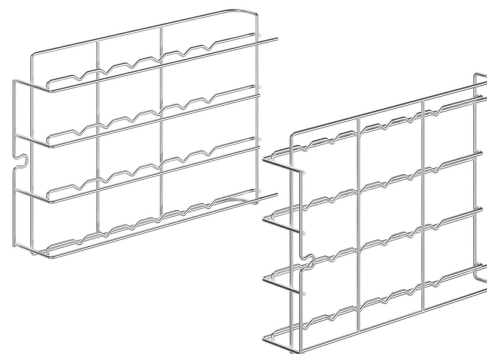


## RGN11-420-2

<b>Family</b>	Oven accessories
<b>Subfamily</b>	Functional accessories
<b>Type</b>	Support kit for grids or flat trays GN1/1 suitable for ovens series ALFA420
<b>Suitable for</b>	Convection ovens 600x400 mm - GN1/1
<b>Compliant oven models</b>	ALFA420 and ALFA410 series
<b>Pieces per pack</b>	1

Support rack for GN 1/1 flat trays, suitable for ALFA420/425/410 models



## Construction

---

<b>Material</b>	Stainless steel	<b>Distance between trays</b> 77 mm
-----------------	-----------------	-------------------------------------