

RL39KNZA



Product Family	Refrigerator
Installation	Free standing
Category	One Door
Reference width	Until 60 cm
Reference height	160 - 200 cm
Sistema Total No - Frost	Yes
Cooling type	Total No Frost
Defrost	Automatic
Hinge type	Standard
Hinge position	Right
Reversible door	Yes
EAN code	8017709344856



Aesthetics



Aesthetic	Universale	Side material	Steel
Colour	Dark Grey Inox Look	Side colour	Dark grey
Design	Flat	Logo	Applied
Finishing	Fingerproof	Door shelves profile color	Dark Inox Look
Material	Steel Effect	Drawers profile color	Dark Inox Look
Handle	External	Color of glass shelf profile	Dark Inox Look
Handle type	Active	Display	LED
Handle colour	Silver	Display position	Interno (sul Top)
Logo colour	Chrome		

Refrigerator compartment features



Number of compartments	2	Bottle shelf	Yes
Compartment types	Low temperature compartment, Fruit and vegetable compartment	Type of crisper/vegetable drawers cover	Glass
No. of adjustable shelves	4	No. of lights refrigerator compartment	3
Number of fruit and vegetables drawers	1	Low temperature compartment	Yes
Shelves material	Glass	Internal light in fridge	Yes
		Type of internal light (fridge)	LED

Type of crisper/vegetable drawers cover	Standard
Crisper Cover	Yes

Refrigerator Inner Door

Number of adjustable door shelves	4	No. of bottle shelves	1
-----------------------------------	---	-----------------------	---

Other Refrigerator features



Humidity Control	Yes	Fan	Yes
Accessories	Egg tray		

Other technical features



Functions display	Holiday, Fast cooling, ECO, Temperature alarm
Type of temperature control	Electronic
No. of compressors	1
Refrigerant gas type	R600a
Type of compressor	Standard
Refrigerant Quantity (gr)	51 g
Foam agent	Cyclopentane

Performance / Energy Label - Reg. 2019

Annual energy consumption	Airborne acoustical noise emissions	40 dB(A) re 1 pW
Sum of the volumes of the chill compartment(s) and the unfrozen compartment(s)	380 l	

Electrical Connection

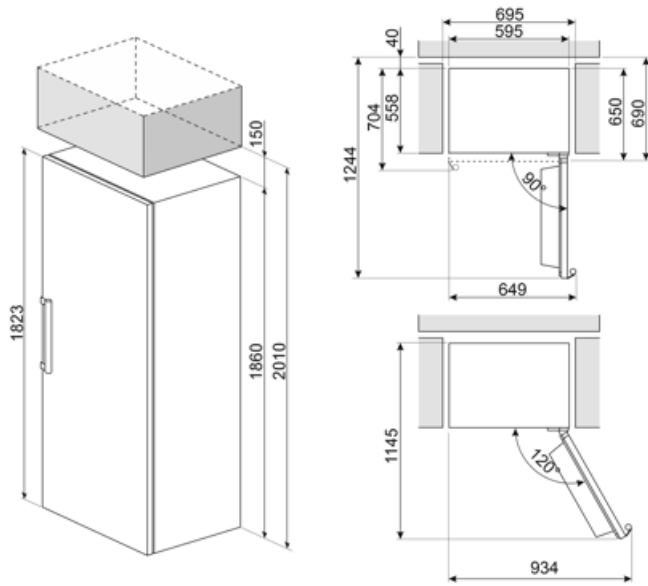
Electrical connection rating	110 W	Frequency (Hz)	50 Hz
Current	0,52 A	Power supply cable length	210 cm
Voltage (V)	220-240 V	Plug	(F;E) Schuko

Logistic Information

Width	595 mm	Product width with maximum doors opening	982 mm
-------	--------	--	--------

Depth without handle 650 mm
Height 1860 mm

Product depth with doors open at 90° 1244 mm



Symbols glossary



The automatic defrost system works by automatically defrosting at regular intervals eliminating the need to defrost altogether.



Economical mode: Analyzes fridge functioning during the activation and optimizes the operating cycle in order to reduce power consumption.



Power saving mode: The power saving mode allows you to disable the refrigerator and keep the freezer working.



LED display: to show programmes, functions and options selected and the time to the end of the cycle.



Ventilated: Forced distribution of cold air in the refrigerator compartment, which allows even temperature distribution within the fridge.



LED interior lighting: is a more energy efficient and long lasting way of illuminating the interior of the appliance.