

S232XC-1



Product Family	Hob
Built-in type	Traditional
Dimensions	30 cm
Power supply	Electric
Type	Electric plates
EAN code	8017709230784



Aesthetics



Aesthetic	Selezione
Colour	Stainless steel
Acabamento	Satin
Material	Stainless Steel
Type of steel	Brushed
Type of control setting	Control knobs
Control knob position	Front
No. of controls	2
Controls colour	Steel effect
Control knob protection	No
Serigraphy colour	Black

Program / Functions

No. of electric plate cook zones	2
Main on/off switch	No
Power levels	6
Total no. of cook zones	2

Options

Multizone Option	No	Residual time indicator	No
Corte padrão	285x485 mm	Limited Power	No
Auto-boiling Function	No	Consumption Mode	
		Showroom Demo Option	No

Simmering Function	No	Control Lock / Child Safety	No
Keep warm automatic function	No	Bridge option	No
Melting/Low temperature cooking function	No	Cleaning option	No
Pause option	No	Quick start	No
End of cooking alarm	No	Rapid level selection	No

Technical Features

Front-centre - Electric plate - 1.50 kW - Ø 14.5 cm

Rear-centre - Electric plate - 2.00 kW - Ø 18.0 cm

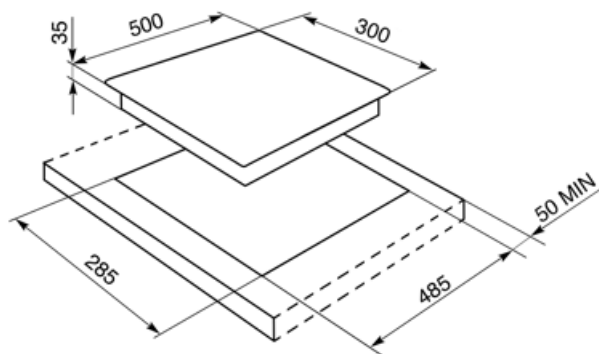
pan detection	No	Automatic switch off when overflow	No
Minimum pan diameter indication	No	Residual heat indicator	No
Automatic switch off when overheat	No	Protection against accidental start up	No

Accessories Included

Other accessories No

Electrical Connection

Plug	No	Type of electric cable	Single phase
Electrical connection rating (W)	3500 W	Frequency (Hz)	50/60 Hz
Current	15.2 A	Ficha eléctrica	No
Voltage (V)	230-240 V		



Symbols glossary



Instalação padrão: Instalação tradicional em tampo de mesa, adequado para qualquer conjunto de cozinha



Controle dos botões