

# S264X2



Product Family  
Built-in type  
Dimensions  
Power supply  
Type  
EAN code

Hob  
Traditional  
60 cm  
Gas  
Gas  
8017709267148



## Aesthetics



<b>Aesthetic</b>	Selezione
<b>Colour</b>	Stainless steel
<b>Acabamento</b>	Satin
<b>Material</b>	Stainless Steel
<b>Type of steel</b>	Brushed
<b>Frame</b>	No
<b>Pan stands</b>	Enamelled flat
<b>Pan Stand Coating</b>	No
<b>Burners</b>	Smeg Contemporary
<b>Burners Material</b>	Alluminium
<b>Burner Coating</b>	No
<b>Type of control setting</b>	Control knobs
<b>Control knob position</b>	Front
<b>No. of controls</b>	4
<b>Controls colour</b>	Silver
<b>Illuminated control knobs</b>	No
<b>Control knob protection</b>	No
<b>Serigraphy colour</b>	Black
<b>Alternative colours available</b>	No

## Program / Functions

<b>No. of gas cook zones</b>	4
<b>Total no. of cook zones</b>	4

## Options



Corte padrão

478-482x555-560 mm

## Technical Features

Left - Gas - Rapid - 3.10 kW

Rear-centre - Gas - Semi Rapid - 1.70 kW

Front-centre - Gas - AUX - 1.10 kW

Right - Gas - Rapid - 2.60 kW

Gas safety valves	Yes	Automatic Ignition	Yes
-------------------	-----	--------------------	-----

## Accessories Included

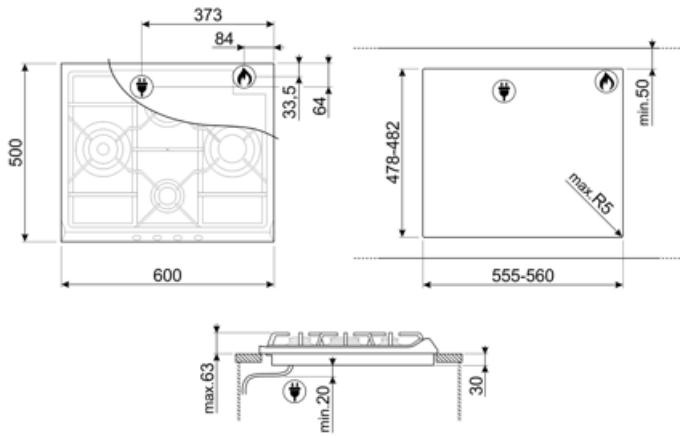
Other accessories	No
-------------------	----

## Electrical Connection

Plug	No	Frequency (Hz)	50/60 Hz
Electrical connection rating (W)	1 W	Comprimento do cabo de alimentação	120 cm
Voltage (V)	220-240 V	Ficha eléctrica	No
Type of electric cable	Single phase		

## Gas Connection

Gas Type	G20 Natural gas	Other gas connections provided	Conical
Ligação ao gás	Ligação ao gás cilíndrica	Gas connection rating (W)	8400 W
Other gas nozzles included	G30 GPL Liquid gas		



---

## Symbols glossary

---



Instalação padrão: Instalação tradicional em tampo de mesa, adequado para qualquer conjunto de cozinha



CUT\_OUT\_STANDARD\_72dpi



Controle dos botões