

## S4C092D



Product Family	Refrigerator
Installation	Built-in
Category	One Door
Built-in niche	88
Reference width	Until 60
Reference height	Until 100
Cooling type	Static
Defrost	Automatic for refrigerator, manual for freezer
Hinge type	Sliding
Hinge position	Right
Reversible door	Yes
EAN code	8017709346362



### Aesthetics

Aesthetic	Universal	Logotipo	Logotipo serigrafado
Colour	White	Cor do perfil das prateleiras da porta	White
Design	Flat	Cor do perfil da prateleira de vidro	White
Material	Metal sheet	Display	No
Handle kit to be ordered separately	No	Dispenser	No
Side material	Steel	Water Filter	No
Side colour	White	HomeBar	No

### Refrigerator compartment features



No. of adjustable shelves	2	Type of crisper/vegetable drawers cover	Glass
Number of fruit and vegetables drawers	1	Nº de lâmpadas	1
Type of adjustable shelves	Glass	Life Plus zone-0°C	No
Type of crisper/vegetable drawers cover	Standard	Compartimento baixa temperatura	No
Crisper Cover	Yes	Internal light in fridge	Yes
Bottle shelf	No	Type of internal light (fridge)	LED

### Refrigerator Inner Door

No. of door shelves with transparent cover	1	No. of bottle shelves	1
Number of adjustable door shelves	2	Bottle shelves with wire support	No
Adjustable door shelves with wire support	No		

## Other Refrigerator features

Accessories	Egg tray	Fan	No
Natural Plus Blu Light	No	Ionizer	No
MultiFlow	No		


## Freezer compartment features

Internal freezer compartment	Yes	Type of internal light (freezer)	No
Internal light in freezer	No		

## Other technical features

Freezer compartment accessories	Ice cube tray
Power on lamp	No
Temperature alarm lamp	No
Door open alarm	No
Temperature Alarm	No
Type of temperature control	Electronic
No. of compressors	1
Refrigerant gas type	R600a
Type of compressor	Standard
Refrigerant Quantity (gr)	28 g
Espuma expansiva de isolamento	Ciclopentano

## Etiqueta de Desempenho / Energia - Reg. 2019

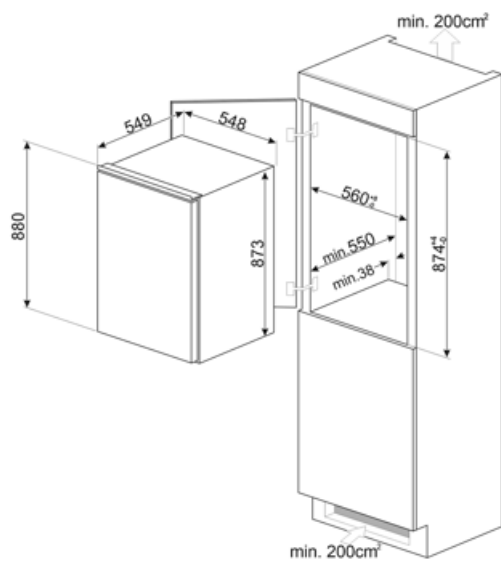
			
Consumo de energia anual	114 kWh/a	Airborne acoustical noise emissions	36 dB(A) re 1 pW
Classe de eficiência energética	D	Autonomia de conservação sem energia elétrica	9.50 h
Classe de emissão de ruído acústico aerotransportado	C	4 estrelas - Capacidade de congelamento	2.6 Kg/24h
Volume líquido total	110 l	Classe climática	SN, N, ST
Soma dos volumes do(s) compartimento(s) congelado(s)	14 l	EEl	80 %

Soma dos volumes do(s) 110 l  
compartimento(s)  
refrigerado(s) e do(s)  
compartimento(s) não  
congelado(s)

## Electrical Connection

Plug (F;E) Schuko  
Electrical connection 100 W  
rating  
Current 0,6 A





Voltage (V) 230-240 V  
Frequency (Hz) 50 Hz  
Power supply cable  
length 240 cm



---

## Symbols glossary

---

- |  |  |   |   |
|--|--|---|---|
|  | O sistema de descongelamento automático funciona descongelando automaticamente em intervalos regulares, eliminando a necessidade de descongelar completamente. |  | Iluminação interior LED: é uma forma mais eficiente em termos energéticos e duradoura de iluminar o interior do aparelho. |
|  | Nicho incorporado  |  | Classe de eficiência energética D   |

---

## Benefit (TT)

---

### **Refrigerant gas R600a**

Environmentally friendly R600a refrigerant gas contributes to rapid cooling with lower energy consumption

### **Refrigerator Internal lighting**

Interior lighting for perfect visibility of shelves in the refrigerator compartment

### **Fruit and vegetable drawer**

The fruit and vegetable drawer ensures the best storage conditions for fresh food, avoiding any contamination