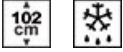


# S4C102F0



<b>Product Family</b>	Refrigerator
<b>Installation</b>	Built-in
<b>Category</b>	One Door
<b>Built-in niche</b>	102
<b>Reference width</b>	Until 60
<b>Reference height</b>	100 - 160
<b>Cooling type</b>	Static
<b>Defrost</b>	Automatic for refrigerator, manual for freezer
<b>Hinge type</b>	Sliding
<b>Hinge position</b>	Right
<b>Reversible door</b>	Yes
<b>EAN code</b>	8017709325374



## Aesthetics

<b>Aesthetic</b>	Universal	<b>Cor do perfil das prateleiras da porta</b>	White
<b>Colour</b>	White	<b>Cor do perfil da prateleira de vidro</b>	White
<b>Material</b>	Metal sheet	<b>Display</b>	No
<b>Handle kit to be ordered separately</b>	No	<b>Dispenser</b>	No
<b>Side material</b>	Steel	<b>Water Filter</b>	No
<b>Side colour</b>	White	<b>HomeBar</b>	No
<b>Logotipo</b>	Logotipo serigrafado		

## Refrigerator compartment features



<b>No. of adjustable shelves</b>	2	<b>Type of crisper/vegetable drawers cover</b>	Glass
<b>Number of fruit and vegetables drawers</b>	1	<b>Life Plus zone-0°C</b>	No
<b>Type of adjustable shelves</b>	Glass	<b>Compartimento baixa temperatura</b>	No
<b>Type of crisper/vegetable drawers cover</b>	Standard	<b>Internal light in fridge</b>	Yes
<b>Crisper Cover</b>	Yes	<b>Type of internal light (fridge)</b>	LED
<b>Bottle shelf</b>	No		

## Refrigerator Inner Door

<b>No. of bottle shelves</b>	1
------------------------------	---

No. of door shelves with transparent cover	1	Bottle shelves with wire support	No
Number of adjustable door shelves	2		
Adjustable door shelves with wire support	No		

## Other Refrigerator features

Accessories	Egg tray	Fan	No
Natural Plus Blu Light	No	Ionizer	No
MultiFlow	No		


## Freezer compartment features

Internal freezer compartment	Yes	Internal light in freezer	No
------------------------------	-----	---------------------------	----

## Other technical features

Freezer compartment accessories	Ice cube tray
Power on lamp	No
Temperature alarm lamp	No
Door open alarm	No
Temperature Alarm	No
Type of temperature control	Electro-mechanical
No. of compressors	1
Refrigerant gas type	R600a
Type of compressor	Standard
Refrigerant Quantity (gr)	34 g
Espuma expansiva de isolamento	Ciclopentano

## Etiqueta de Desempenho / Energia - Reg. 2019

			
Consumo de energia anual	186 kWh/a	Autonomia de conservação sem energia elétrica	7.90 h
Classe de eficiência energética	F	Classe climática	N, ST
Classe de emissão de ruído acústico aerotransportado	C	EEl	124 %
Airborne acoustical noise emissions	36 dB(A) re 1 pW		

## Electrical Connection

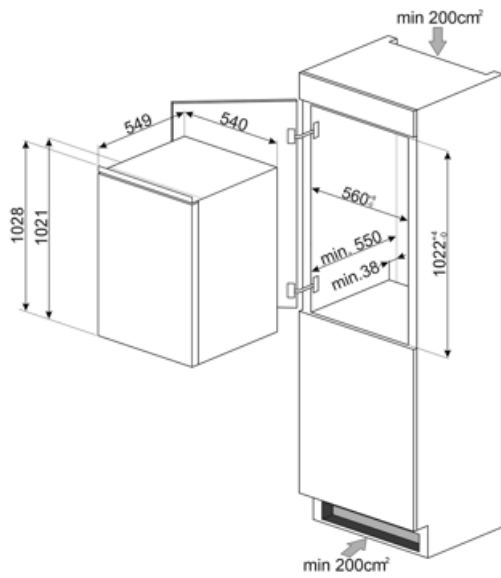
Plug	(F;E) Schuko	Voltage (V)	230-240 V
------	--------------	-------------	-----------

Electrical connection rating  
Current

100 W  
0,7 A

Frequency (Hz)  
Power supply cable length

50 Hz  
240 cm



## Symbols glossary



O sistema de descongelamento automático funciona descongelando automaticamente em intervalos regulares, eliminando a necessidade de descongelar completamente.



Classe de eficiência energética F



Nicho incorporado



A++: A classe de eficiência energética A++ ajuda a economizar até 20% de energia em comparação com a classe A. O desempenho máximo com consumo mínimo é garantido.



Iluminação interior LED: é uma forma mais eficiente em termos energéticos e duradoura de iluminar o interior do aparelho.

## Benefit (TT)

---

### Refrigerant gas R600a

Environmentally friendly R600a refrigerant gas contributes to rapid cooling with lower energy consumption

### Climate class

Climatic class SN-T makes the appliance suitable for working at room temperature between 10 °C and 43 °C (50 °F ~ 109 °F)

### Refrigerator Internal lighting

Interior lighting for perfect visibility of shelves in the refrigerator compartment

### Fruit and vegetable drawer

The fruit and vegetable drawer ensures the best storage conditions for fresh food, avoiding any contamination