

# S4L090E



Product Family	Refrigerator
Installation	Built-in
Category	One Door
Built-in niche	88
Reference width	Until 60
Reference height	Until 100
Cooling type	Static
Defrost	Automatic
Hinge type	Sliding
Hinge position	Right
Reversible door	Yes
EAN code	8017709337094



## Aesthetics

Aesthetic	Universal	Logotipo	Logotipo serigrafado
Colour	White	Cor do perfil das prateleiras da porta	White
Design	Flat	Cor do perfil das gavetas	White
Material	Metal sheet	Cor do perfil da prateleira de vidro	White
Handle kit to be ordered separately	No	Dispenser	No
Side material	Steel	Water Filter	No
Side colour	White	HomeBar	No

## Refrigerator compartment features



No. of adjustable shelves	3	Type of crisper/vegetable drawers cover	Glass
Number of fruit and vegetables drawers	1	Life Plus zone-0°C	No
Type of adjustable shelves	Glass	Compartimento baixa temperatura	No
Type of crisper/vegetable drawers cover	Standard	Internal light in fridge	Yes
Crisper Cover	Yes	Type of internal light (fridge)	LED
Bottle shelf	No		

## Refrigerator Inner Door

<b>No. of door shelves with transparent cover</b>	1	<b>No. of bottle shelves</b>	1
<b>Number of adjustable door shelves</b>	2	<b>Bottle shelves with wire support</b>	No
<b>Adjustable door shelves with wire support</b>	No		

## Other Refrigerator features

<b>Accessories</b>	Kit listeria, Egg tray	<b>Fan</b>	No
<b>Natural Plus Blu Light</b>	No	<b>Ionizer</b>	No
<b>MultiFlow</b>	No		


## Freezer compartment features

<b>Internal freezer compartment</b>	No
-------------------------------------	----

## Other technical features

<b>Power on lamp</b>	No
<b>Temperature alarm lamp</b>	No
<b>Door open alarm</b>	No
<b>Temperature Alarm</b>	No
<b>Type of temperature control</b>	Electro-mechanical
<b>No. of compressors</b>	1
<b>Refrigerant gas type</b>	R600a
<b>Type of compressor</b>	Standard
<b>Refrigerant Quantity (gr)</b>	20 g
<b>Espuma expansiva de isolamento</b>	Ciclopentano

## Etiqueta de Desempenho / Energia - Reg. 2019

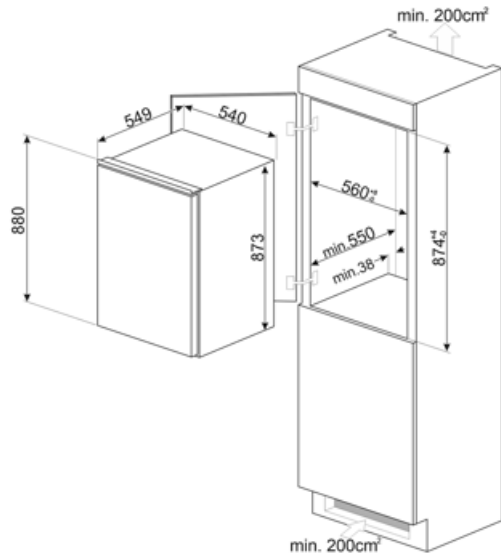
			
<b>Consumo de energia anual</b>	93 kWh/a	<b>Soma dos volumes do(s) compartimento(s) refrigerado(s) e do(s) compartimento(s) não congelado(s)</b>	142 l
<b>Classe de eficiência energética</b>	E	<b>Airborne acoustical noise emissions</b>	36 dB(A) re 1 pW
<b>Classe de emissão de ruído acústico aerotransportado</b>	C	<b>Classe climática</b>	SN, N, ST, T
<b>Volume líquido total</b>	142 l	<b>EEL</b>	93 %

## Electrical Connection

<b>Plug</b>	(F;E) Schuko	<b>Voltage (V)</b>	230-240 V
		<b>Frequency (Hz)</b>	50 Hz

Electrical connection rating      100 W  
Current                                      0.6 A

Power supply cable length      180 cm



---

## Symbols glossary

---



O sistema de descongelamento automático funciona descongelando automaticamente em intervalos regulares, eliminando a necessidade de descongelar completamente.



Iluminação interior LED: é uma forma mais eficiente em termos energéticos e duradoura de iluminar o interior do aparelho.



Classe de eficiência energética E.



E: Classificação energética do produto



Nicho incorporado

---

## Benefit (TT)

---

### **Refrigerant gas R600a**

Environmentally friendly R600a refrigerant gas contributes to rapid cooling with lower energy consumption

### **Climate class**

Climatic class SN-T makes the appliance suitable for working at room temperature between 10 °C and 43 °C (50 °F ~ 109 °F)

### **Refrigerator Internal lighting**

Interior lighting for perfect visibility of shelves in the refrigerator compartment

### **Fruit and vegetable drawer**

The fruit and vegetable drawer ensures the best storage conditions for fresh food, avoiding any contamination