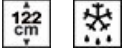


S4L120E



| | |
|------------------|---------------|
| Product Family | Refrigerator |
| Installation | Built-in |
| Category | One Door |
| Built-in niche | 122 |
| Reference width | Until 60 |
| Reference height | 100 - 160 |
| Cooling type | Static |
| Defrost | Automatic |
| Hinge type | Sliding |
| Hinge position | Right |
| Reversible door | Yes |
| EAN code | 8017709337131 |



Aesthetics

| | | | |
|---------------|----------------------|--|-------|
| Aesthetic | Universal | Cor do perfil das prateleiras da porta | White |
| Colour | White | Cor do perfil das gavetas | White |
| Design | Flat | Cor do perfil da prateleira de vidro | White |
| Material | Metal sheet | Display | No |
| Side material | Steel | Dispenser | No |
| Side colour | White | Water Filter | No |
| Logotipo | Logotipo serigrafado | HomeBar | No |

Refrigerator compartment features



| | | | |
|---|----------|---|-------|
| No. of adjustable shelves | 4 | Type of crisper/vegetable drawers cover | Glass |
| Number of fruit and vegetables drawers | 1 | N° de lâmpadas | 1 |
| Type of adjustable shelves | Glass | Life Plus zone-0°C | No |
| Type of crisper/vegetable drawers cover | Standard | Compartimento baixa temperatura | No |
| Crisper Cover | Yes | Internal light in fridge | Yes |
| Bottle shelf | No | Type of internal light (fridge) | LED |

Refrigerator Inner Door

| | | | |
|--|----|---|----|
| Number of adjustable door shelves | 3 | No. of bottle shelves | 1 |
| Adjustable door shelves with wire support | No | Bottle shelves with wire support | No |

Other Refrigerator features

| | | | |
|-------------------------------|------------------------|----------------|----|
| Accessories | Kit listeria, Egg tray | Fan | No |
| Natural Plus Blu Light | No | Ionizer | No |
| MultiFlow | No | | |


Freezer compartment features

| | |
|-------------------------------------|----|
| Internal freezer compartment | No |
|-------------------------------------|----|

Other technical features

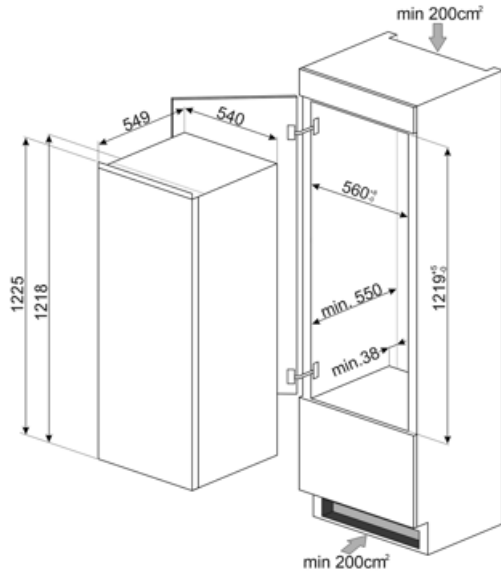
| | |
|---------------------------------------|--------------------|
| Ligação à rede de água | No |
| Power on lamp | No |
| Temperature alarm lamp | No |
| Door open alarm | No |
| Temperature Alarm | No |
| Type of temperature control | Electro-mechanical |
| No. of compressors | 1 |
| Refrigerant gas type | R600a |
| Type of compressor | Standard |
| Refrigerant Quantity (gr) | 25 g |
| Espuma expansiva de isolamento | Ciclopentano |

Etiqueta de Desempenho / Energia - Reg. 2019

| | | | |
|---|-----------|--|------------------|
|  | | | |
| Consumo de energia anual | 101 kWh/a | Airborne acoustical noise emissions | 34 dB(A) re 1 pW |
| Classe de eficiência energética | E | Capacidade bruta do Refrigerador | 208 l |
| Classe de emissão de ruído acústico aerotransportado | B | Classe climática | SN, N, ST, T |
| Volume líquido total | 208 l | EEI | 99 % |
| Soma dos volumes do(s) compartimento(s) refrigerado(s) e do(s) compartimento(s) não congelado(s) | 208 l | | |

Electrical Connection

| | | | |
|------------------------------|--------------|---------------------------|-----------|
| Plug | (F;E) Schuko | Voltage (V) | 230-240 V |
| Electrical connection rating | 130 W | Frequency (Hz) | 50 Hz |
| Current | 1 A | Power supply cable length | 240 cm |



Symbols glossary



O sistema de descongelamento automático funciona descongelando automaticamente em intervalos regulares, eliminando a necessidade de descongelar completamente.



Iluminação interior LED: é uma forma mais eficiente em termos energéticos e duradoura de iluminar o interior do aparelho.



Nicho incorporado



Classe de eficiência energética E.

Benefit (TT)

Refrigerant gas R600a

Environmentally friendly R600a refrigerant gas contributes to rapid cooling with lower energy consumption

Climate class

Climatic class SN-T makes the appliance suitable for working at room temperature between 10 °C and 43 °C (50 °F ~ 109 °F)

Refrigerator Internal lighting

Interior lighting for perfect visibility of shelves in the refrigerator compartment

Fruit and vegetable drawer

The fruit and vegetable drawer ensures the best storage conditions for fresh food, avoiding any contamination