

S60GHS



Product Family	Hob
Built-in type	Traditional
Dimensions	60 cm
Power supply	Gas
Type	Gas
EAN code	8017709179519



Aesthetics



Aesthetic	Selezione
Colour	Stainless steel
Finishing	Satin
Material	Stainless Steel
Type of steel	Brushed
Pan stands	Cast iron
Burners	Smeg Contemporary
Burners Material	Alluminium
Type of control setting	Control knobs
Control knob position	Front
No. of controls	4
Controls colour	Silver
Serigraphy colour	Black

Programs / Functions

No. of gas cook zones	4
Total no. of cook zones	4

Options



Worktop Cut-Out	478-482x555-560 mm
-----------------	--------------------

Technical Features

Left - Gas - Rapid - 3.10 kW

Rear-centre - Gas - Semi Rapid - 1.70 kW

Front-centre - Gas - AUX - 1.10 kW

Right - Gas - Rapid - 2.60 kW

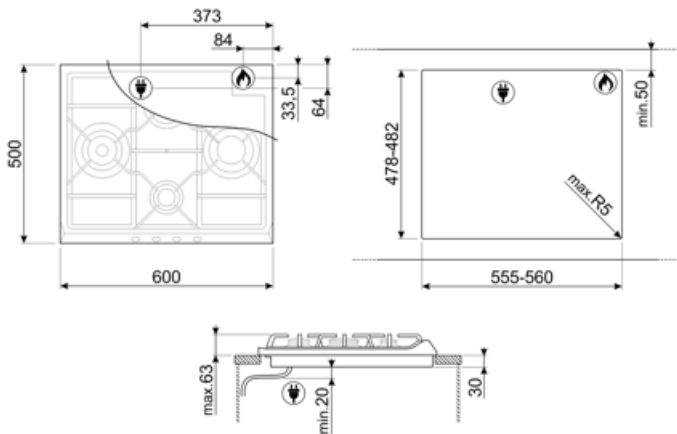
Gas safety valves Yes Automatic Ignition Yes

Electrical Connection

Plug	Not present	Type of electric cable installed	Yes, Single phase
Electrical connection rating (W)	1 W	Frequency (Hz)	50/60 Hz
Voltage (V)	220-240 V	Power supply cable length	120 cm

Gas Connection

Gas Type	G20 Natural gas	Other gas connections provided	Conical
Gas connection	Cilindrical	Gas connection rating (W)	8400 W
Other gas nozzles included	G30 GPL Liquid gas		



Compatible Accessories

6MP700AO

Hob knobs set - Cortina Anthracite/Old brass



6MP700BS

Hob knobs set - Cortina Silver/Silver



6MPF2465X

Hob knobs set - Selezione



CC60NE

Black cover suitable for 60 cm hobs with frontal controls.



TPK

Stainless steel grill plate to cook Teppanyaki dishes



6MP700AX

Hob knobs set - Cortina Anthracite/Silver



6MP700PO

Hob knobs set - Cortina Cream/Old brass



BB3679

Cast Iron griddle



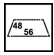



CC60X

Glass cover with stainless steel frame suitable for 60 cm hobs with frontal controls.



Symbols glossary

	Standard installation: Traditional installation in tabletop, suitable for any kitchen sets		Heavy duty cast iron pan stands: for maximum stability and strength.
	CUT_OUT_STANDARD_72dpi		Knobs control