

S64SB



Product Family	Hob
Built-in type	Traditional
Dimensions	60 cm
Power supply	Gas
Type	Gas
EAN code	8017709175771



Aesthetics



Aesthetic	Selezione
Colour	White
Material	Enamelled
Pan stands	Enamelled flat
Burners	Smeg Contemporary
Burners Material	Alluminium
Type of control setting	Control knobs
Control knob position	Lateral
No. of controls	4
Controls colour	White
Serigraphy colour	Grey
Alternative colours available	Black, Stainless steel

Options



Worktop Cut-Out	478-482x555-560 mm
-----------------	--------------------

Technical Features

Front-left - Gas - Rapid - 3.10 kW
Rear-left - Gas - Semi Rapid - 1.80 kW
Rear-right - Gas - Semi Rapid - 1.80 kW
Front-right - Gas - AUX - 1.10 kW

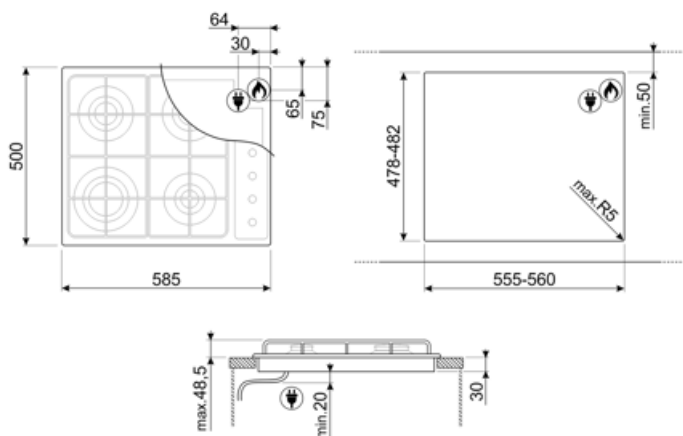
Gas safety valves	Yes	Automatic Ignition	Yes
-------------------	-----	--------------------	-----

Electrical Connection

Plug	Not present	Type of electric cable installed	Yes, Single phase
Electrical connection rating (W)	1 W	Frequency (Hz)	50/60 Hz
Voltage (V)	220-240 V	Power supply cable length	120 cm

Gas Connection

Gas Type	G20 Natural gas	Other gas connections provided	Conical
Gas connection	Cilindrical	Gas connection rating (W)	7600 W
Other gas nozzles included	G30 GPL Liquid gas		



Not included accessories



BB3679

Cast Iron griddle



WOKGHU

Cast iron WOK Support



TPK

Stainless steel grill plate to cook
Teppanyaki dishes



7520X

Glass cover suitable for 60 cm side
control hobs.



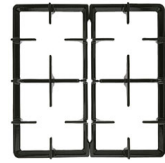
7520NE

Black cover suitable for 60 cm side
control hobs.



7520EB

White cover suitable for 60 cm side
control hobs.



GRC60

Cast Iron pan stands suitable for 60
cm hobs.

Symbols glossary (TT)



Standard installation: Traditional installation in tabletop, suitable for any kitchen sets



Knobs control



CUT_OUT_STANDARD_72dpi