

# SCV115G



|                  |               |
|------------------|---------------|
| Installation     | Free standing |
| Reference width  | Until 60      |
| Reference height | 160 - 200     |
| Defrost          | Automatic     |
| Cooling type     | Fan assisted  |
| Hinge type       | Standard      |
| Hinge position   | Right         |



## Wine cellar compartment features



|   |                           |
|---|---------------------------|
| Number of fixed shelves                 | 1                         |
| Number of removable shelves             | 5                         |
| Number of removable and folding shelves | 1                         |
| No. of lights                           | 1                         |
| Shelves material                        | Wood                      |
| Adjustable shelves                      | Yes                       |
| Type of internal light                  | Led                       |
| Air filter                              | Activated charcoal filter |

## Programs/Functions




|                 |                                  |                   |     |
|-----------------|----------------------------------|-------------------|-----|
| Control setting | Control buttons                  | Control lock      | Yes |
| Controls        | Inner, in the cellar compartment | Temperature Alarm | Yes |
| Display         | 7 digits LED                     | Door open alarm   | Yes |

## Technical Features

|                              |            |                                       |                          |
|------------------------------|------------|---------------------------------------|--------------------------|
| Adjustable temperature zones | 2          | Compressor type                       | Low vibration compressor |
| Temperature range            | 5-22 °C    | Refrigerant gas type                  | R600a                    |
| Type of temperature control  | Electronic | Foam agent                            | Cyclopentane             |
|                              |            | Metal panel on the back of the fridge | Metal                    |

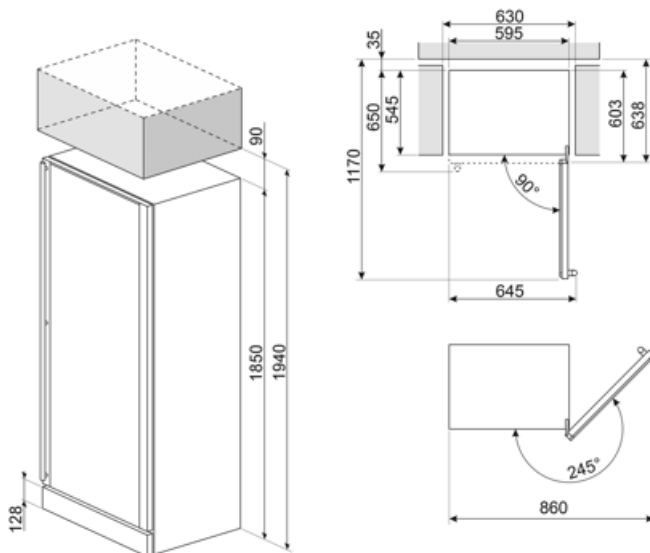
|                            |     |                   |             |
|----------------------------|-----|-------------------|-------------|
| Anti-UV door glass         | Yes | Adjustable feet   | 2 Front     |
| Integrated heating element | Yes | Door opening type | With handle |
| Number of compressors      | 1   |                   |             |

## Performance / Energy Label - Reg. 2019

|  |           |  |                  |
|--|-----------|--|------------------|
|  |           |  |                  |
| Max Capacity (bottles 0,75lt)  | 197       | Sum of the volumes of the chill compartment(s) and the unfrozen compartment(s) | 368 l            |
| Annual energy consumption  | 173 kWh/a | Climate class  | SN, N, ST        |
| Energy efficiency class  | G         | EEL  | 171 %            |
| Airborne acoustical noise emission class   | C         | Noise level  | 39 dB(A) re 1 pW |
| Total net volume   | 368 l     |  |                  |

## Electrical Connection

|                              |           |                |              |
|------------------------------|-----------|----------------|--------------|
| Electrical connection rating | 200 W     | Frequency (Hz) | 50-60 Hz     |
| Current                      | 1 A       | Plug           | (F;E) Schuko |
| Voltage (V)                  | 220-240 V |                |              |



---

## Symbols glossary

---



The automatic defrost system works by automatically defrosting at regular intervals eliminating the need to defrost altogether.



LED display: to show programmes, functions and options selected and the time to the end of the cycle.



Fingerprint proof stainless steel: Fingerprint proof stainless steel keeps stainless steel looking as good as new.



Energy efficiency class G



Ventilated: Forced distribution of cold air in the refrigerator compartment, which allows even temperature distribution within the fridge.



LED interior lighting: is a more energy efficient and long lasting way of illuminating the interior of the appliance.