

# SE60SGH3



<b>Product Family</b>	Hob
<b>Built-in type</b>	Traditional
<b>Dimensions</b>	60 cm
<b>Power supply</b>	Gas
<b>Type</b>	Gas
<b>EAN code</b>	8017709112059



## Aesthetics



<b>Aesthetic</b>	Classica
<b>Colour</b>	Stainless steel
<b>Finishing</b>	Satin
<b>Material</b>	Stainless Steel
<b>Type of steel</b>	Brushed
<b>Pan stands</b>	Cast iron
<b>Type of control setting</b>	Control knobs
<b>Control knob position</b>	Front
<b>No. of controls</b>	4
<b>Controls colour</b>	Steel effect
<b>Serigraphy colour</b>	Grey

## Options



<b>Worktop Cut-Out</b>	478-482x555-560 mm
------------------------	--------------------

## Technical Features

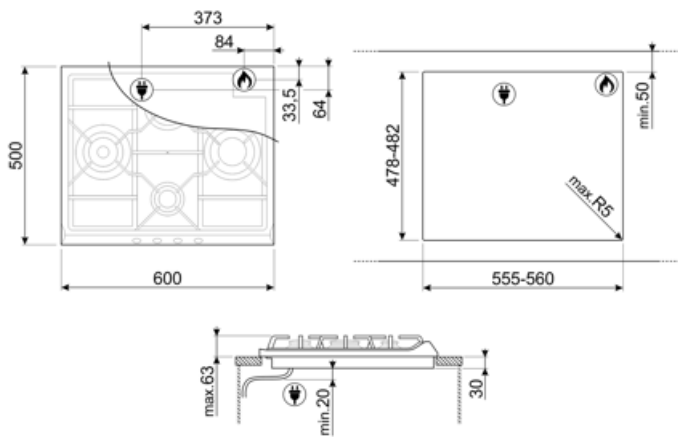
Left - Gas - Rapid - 3.10 kW		
Rear-centre - Gas - Semi Rapid - 1.70 kW		
Front-centre - Gas - AUX - 1.10 kW		
Right - Gas - Rapid - 2.60 kW		
<b>Gas safety valves</b>	Yes	<b>Automatic Ignition</b>
		Yes

## Electrical Connection

Plug	Not present	Power supply cable length	120 cm
------	-------------	---------------------------	--------

## Gas Connection





Gas Type	G20 Natural gas	Other gas connections provided	Conical
Gas connection	Cilindrical	Gas connection rating (W)	8400 W



---

## Symbols glossary (TT)

---

	Standard installation: Traditional installation in tabletop, suitable for any kitchen sets		Heavy duty cast iron pan stands: for maximum stability and strength.
	CUT_OUT_STANDARD_72dpi		Knobs control