

SE97GXBE5



Product Family	Hob
Built-in type	Traditional
Dimensions	90 cm
Power supply	Gas
Type	Gas
EAN code	8017709115784



Aesthetics



Aesthetic	Classica
Colour	Stainless steel
Finishing	Satin
Material	Stainless Steel
Type of steel	Brushed
Pan stands	Cast iron
Type of control setting	Control knobs
Control knob position	Front
No. of controls	6
Controls colour	Steel effect
Logo	Silk screen
Serigraphy colour	Grey

Program / Functions

No. of gas cook zones	5
Total no. of cook zones	5

Options

Worktop Cut-Out	478-482x839-844 mm
-----------------	--------------------

Technical Features

UR

Left - Gas - 2UR (dual) - 3.90 kW
 Rear-centre - Gas - Rapid - 3.10 kW
 Front-centre - Gas - AUX - 1.10 kW
 Rear-right - Gas - Semi Rapid - 1.70 kW
 Front-right - Gas - Semi Rapid - 1.70 kW
 Gas safety valves Yes

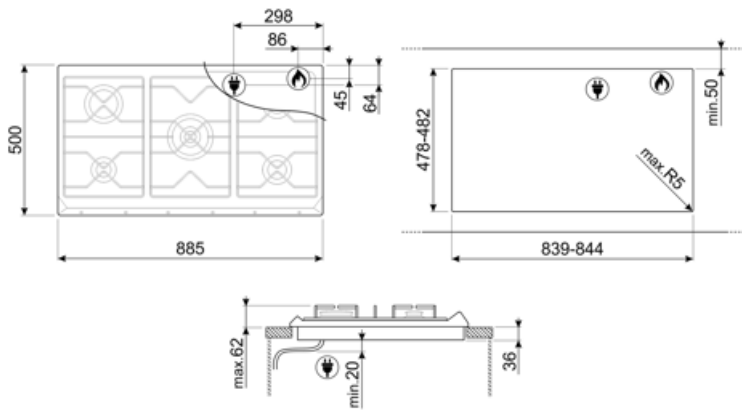
Automatic Ignition Yes

Electrical Connection





Power supply cable length 120 cm **Plug** Not present

Gas Connection

Gas Type G20 Natural gas
Gas connection Cilindrical
Other gas nozzles included G25 Natural gas, G30 GPL Liquid gas
Gas connection rating (W) 12400 W



Symbols glossary

- | | | | |
|--|---|---|--|
|  | Standard installation: Traditional installation in tabletop, suitable for any kitchen sets. |  | Heavy duty cast iron pan stands: for maximum stability and strength. |
|  | Ultra rapid burners: Powerful ultra rapid burners offer up to 5kw of power. |  | Knobs control |