

# SER60SGH3



Product Family	Hob
Built-in type	Traditional
Dimensions	60 cm
Power supply	Gas
Type	Gas
EAN code	8017709105235



## Aesthetics



Aesthetic	Classica
Colour	Stainless steel
Finishing	Satin
Material	Stainless Steel
Type of steel	Brushed
Pan stands	Cast iron
Type of control setting	Control knobs
Control knob position	Front
No. of controls	4
Controls colour	Steel effect
Serigraphy colour	Grey

## Programs / Functions

No. of gas cook zones	4
Total no. of cook zones	4

## Options



Worktop Cut-Out	478-482x555-560 mm
-----------------	--------------------

## Technical Features

**UR**

Left - Gas - UR - 3.90 kW

Rear-centre - Gas - Semi Rapid - 1.70 kW

Front-centre - Gas - AUX - 1.10 kW

Right - Gas - Rapid - 2.60 kW

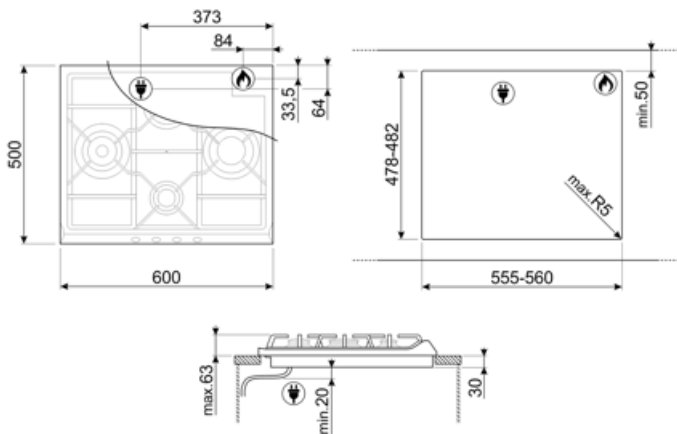
Gas safety valves                      Yes                                      Automatic Ignition                      Yes

## Electrical Connection

Plug	Not present	Frequency (Hz)	50/60 Hz
Electrical connection rating (W)	1 W	Power supply cable length	120 cm
Voltage (V)	220-240 V		

## Gas Connection

Gas Type	G20 Natural gas	Other gas connections provided	Conical
Gas connection	Cilindrical	Gas connection rating (W)	9300 W
Other gas nozzles included	G30 GPL Liquid gas		



## Compatible Accessories

### 6MP700AO

Hob knobs set - Cortina Anthracite/Old brass



### 6MP700BS

Hob knobs set - Cortina Silver/Silver



### 6MP800P

### BB3679

Cast Iron griddle



### CC60X

Glass cover with stainless steel frame suitable for 60 cm hobs with frontal controls.



### 6MP700AX

Hob knobs set - Cortina Anthracite/Silver



### 6MP700PO

Hob knobs set - Cortina Cream/Old brass



### 6MPF2465X

Hob knobs set - Selezione



### CC60NE

Black cover suitable for 60 cm hobs with frontal controls.



### TPK

Stainless steel grill plate to cook Teppanyaki dishes



---

## Symbols glossary

---

- |  |  |   |   |
|--|--|---|---|
|  | Standard installation: Traditional installation in tabletop, suitable for any kitchen sets |  | Heavy duty cast iron pan stands: for maximum stability and strength.        |
|  | CUT_OUT_STANDARD_72dpi   |  | Ultra rapid burners: Powerful ultra rapid burners offer up to 5kw of power. |
|  | Knobs control  |   |   |