

SG116D

Sink material	Stainless steel
Type	Welded sink
No. of bowls	2
Drainer	Right
EAN code	8017709015404



Aesthetics



Aesthetic	Universale	Building in type	Standard
Series	Alba	Logo	Embossed
Colour	Stainless steel	Tap hole / precut tap hole	1 Tap hole
Finishing	Brushed		

	Bowl type RH	Bowl thickness (mm)	Bowl dimensions, WxDxH (mm)	Bowl depth (mm)	Radius corner right bowl (mm)	Overflow LH bowl	Strainer position	Strainer dimension
RH Bowl	Traditional	0.7	300 x 400 x 210	210	80		Side bowl	3.5"
LH Bowl	Traditional	0.7	450 x 400 x 210	210	80	Yes, traditional	Side bowl	3.5"

Technical Features

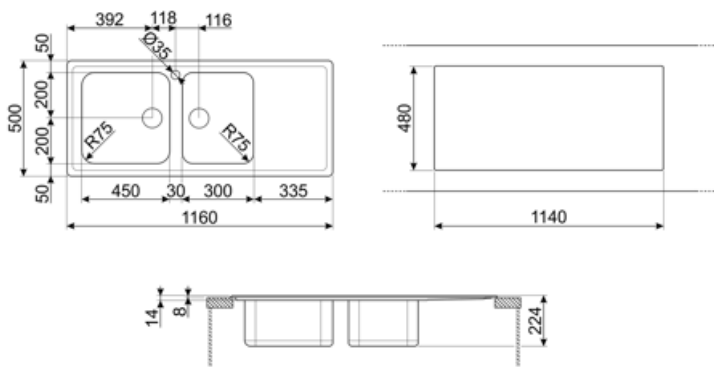


Frame thickness	0,7 mm	Tap hole	1
Frame depth (mm)	13	Tap hole diameter	35 mm
Dimensions of the product (mm)	220x1160x500 mm	Dividing wall width	30 mm
Cutout dimension topmount (mm)	1140 x 480 mm	Gasket type	Sealing paste
Height from kitchen top	8 mm	No. of clips	12
Base unit size	90 cm	Type of clips	Standard

Accessories Included

Accessories for installation

Strainer, Savespace siphon with dishwasher outlet connection, Fixing clips, Gasket



Not included accessories



KITFD050

Waste disposal 0,5 HP, Motor: 1/2 horsepower, Fits all sinks with 3 1/2" waste outlet



DB34

St/steel drain basket to fit STD radius 340 x 400 bowl, 180 mm depth



COL36

St/steel colander for MINIMUM radius bowls, measures 370 x 410 x 30 mm



KITFD100

Waste disposal 1 HP, Motor: 1/2 horsepower, Fits all sinks with 3 1/2" waste outlet



3713

Siphon double bowls sinks (dishwasher connection included)



STABMIX

Tap stabiliser



COL19H

St/Steel colander to fit MINIMUM radius mm bowl, measures 200 x 410 x 100 mm



COL19

St/Steel colander to fit MINIMUM radius mm bowl, measures 200 x 410 x 26 mm



CB25MN

Single HPE chopping board to fit minimum radius bowls, black matt, measures 250 x 410 H 12 mm, dishwasher safe



KITFD075

Waste disposal 0,75 HP, Motor: 1/2 horsepower, Fits all sinks with 3 1/2" waste outlet



RND2V


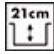

2 Bowls standard Rondò waste kit with rectangular overflow



CB28QU

Single HPL chopping board for minimum radius, oak, measures 280 x 418 H 12 mm

Symbols glossary (TT)

- | | | | |
|--|--|---|---|
|  | Cupboard width required for sink installation |  | Sink depth - depending on the model, the depth can be from 13 to 24,5 |
|  | Standard installation: Traditional installation in tabletop, suitable for any kitchen sets | | |