

# SG861D

Sink material	Stainless steel
Type	Welded sink
No. of bowls	1
Drainer	Right
EAN code	8017709015497



## Aesthetics



Aesthetic	Universale	Building in type	Standard
Series	Alba	Logo	Embossed
Colour	Stainless steel	Tap hole / precut tap hole	1 Tap hole
Finishing	Brushed		

	Bowl type LH	Bowl thickness LH (mm)	Bowl dimensions LH, WxDxA (mm)	LH Bowl depth (mm)	Radius corner left bowl	Overflow LH bowl	Strainer position LH bowl	Strainer dimension LH bowl
LH Bowl	Traditional	0.7	450 x 400 x 210	210	80	Yes, traditional	Side bowl	3.5"

## Technical Features

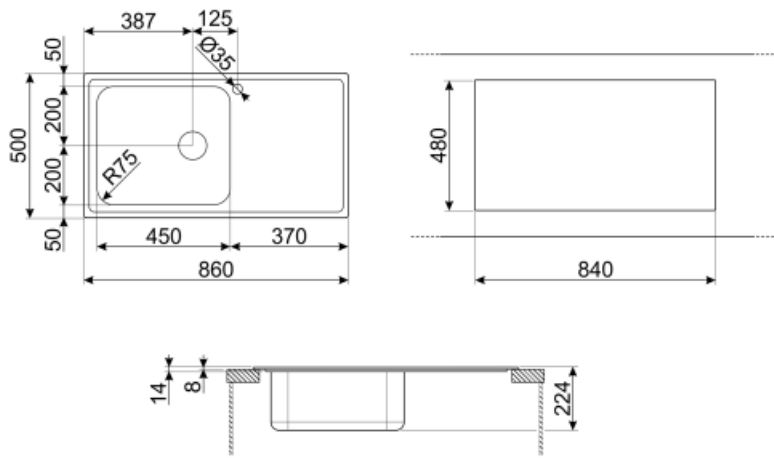


Frame thickness	0,7 mm	Tap hole	1
Frame depth (mm)	13	Tap hole diameter	35 mm
Dimensions of the product (mm)	220x860x500 mm	Drainer inclination	2 °
Cutout dimension topmount (mm)	840 x 480 mm	Gasket type	Sealing paste
Undermount cutout radius	15 mm	No. of clips	6
Height from kitchen top	8 mm	Type of clips	Standard
Base unit size	60 cm		

## Accessories Included

Accessories for installation

Strainer, Savespace siphon with dishwasher outlet connection, Fixing clips, Gasket



---

## Not included accessories

---



### RND1V

Rondò waste kit 1 bowl with standard overflow



### KITFD050

Waste disposal 0,5 HP, Motor: 1/2 horsepower, Fits all sinks with 3 1/2" waste outlet



### COL36

St/steel colander for MINIMUM radius bowls, measures 370 x 410 x 30 mm



### KITFD100

Waste disposal 1 HP, Motor: 1/2 horsepower, Fits all sinks with 3 1/2" waste outlet



### 3712

Siphon single bowl sinks (dishwasher connection included)



### STABMIX

Tap stabiliser



### COL19H

St/Steel colander to fit MINIMUM radius mm bowl, measures 200 x 410 x 100 mm



### COL19

St/Steel colander to fit MINIMUM radius mm bowl, measures 200 x 410 x 26 mm



### CB25MN

Single HPE chopping board to fit minimum radius bowls, black matt, measures 250 x 410 H 12 mm, dishwasher safe



### KITFD075

Waste disposal 0,75 HP, Motor: 1/2 horsepower, Fits all sinks with 3 1/2" waste outlet

---

## Symbols glossary (TT)

---



Cupboard width required for sink installation



Sink depth - depending on the model, the depth can be from 13 to 24,5



Standard installation: Traditional installation in tabletop, suitable for any kitchen sets