

SG861S

Sink material	Stainless steel
Type	Welded sink
No. of bowls	1
Drainer	Left
EAN code	8017709016036



Aesthetics



Aesthetic	Universale	Building in type	Standard
Series	Alba	Logo	Embossed
Colour	Stainless steel	Tap hole / precut tap hole	1 Tap hole
Finishing	Brushed		

	Bowl type RH	Bowl thickness (mm)	Bowl dimensions, WxDxH (mm)	Bowl depth (mm)	Radius corner right bowl (mm)	Overflow	Strainer position	Strainer dimension
RH Bowl	Traditional	0.7	450 x 400 x 210	210	80	Yes, traditional	Side bowl	3.5"

Technical Features

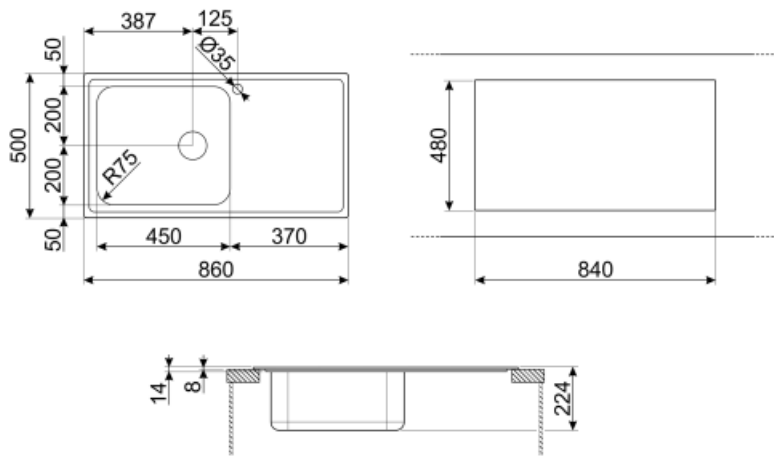


Frame thickness	0,7 mm	Tap hole	1
Frame depth (mm)	13	Tap hole diameter	35 mm
Dimensions of the product (mm)	220x860x500 mm	Drainer inclination	2 °
Cutout dimension topmount (mm)	840 x 480 mm	Gasket type	Sealing paste
Undermount cutout radius	15 mm	No. of clips	6
Height from kitchen top	8 mm	Type of clips	Standard
Base unit size	60 cm		

Accessories Included

Accessories for installation

Strainer, Savespace siphon with dishwasher outlet connection, Fixing clips, Gasket



Not included accessories



RND1V

Rondò waste kit 1 bowl with standard overflow



KITFD050

Waste disposal 0,5 HP, Motor: 1/2 horsepower, Fits all sinks with 3 1/2" waste outlet



DB34

St/steel drain basket to fit STD radius 340 x 400 bowl, 180 mm depth



COL36

St/steel colander for MINIMUM radius bowls, measures 370 x 410 x 30 mm



KITFD100

Waste disposal 1 HP, Motor: 1/2 horsepower, Fits all sinks with 3 1/2" waste outlet



3712

Siphon single bowl sinks (dishwasher connection included)



STABMIX

Tap stabiliser



COL19H

St/Steel colander to fit MINIMUM radius mm bowl, measures 200 x 410 x 100 mm



COL19

St/Steel colander to fit MINIMUM radius mm bowl, measures 200 x 410 x 26 mm



CB25MN


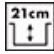

Single HPE chopping board to fit minimum radius bowls, black matt, measures 250 x 410 H 12 mm, dishwasher safe



KITFD075

Waste disposal 0,75 HP, Motor: 1/2 horsepower, Fits all sinks with 3 1/2" waste outlet

Symbols glossary (TT)

- | | | | |
|--|--|---|---|
|  | Cupboard width required for sink installation |  | Sink depth - depending on the model, the depth can be from 13 to 24,5 |
|  | Standard installation: Traditional installation in tabletop, suitable for any kitchen sets | | |