

SHU771X

| | |
|----------------|-----------------|
| Product family | Hood |
| Hood Type | Integrated hood |
| Design | Ceiling |
| Extraction | Recirculation |
| Material | Stainless steel |
| Type of steel | Brushed |
| EAN code | 8017709336509 |
| Aesthetic | Universale |
| Colour | Stainless steel |
| Finishing | Satin |



Controls

| | |
|-----------------|---------|
| Control setting | Buttons |
|-----------------|---------|

Program / Functions

| | |
|-----------------|---|
| No. of speeds | 3 |
| Intensive speed |  |

Technical Features



| | | | |
|-----------------------------------|-----------------------|------------------------------------|-----------------|
| No. of lights | 2 | No. of filters | 2 |
| Light type | LED | Anti-grease filters | Stainless steel |
| Light Power | 1,1 W | Vent outlet | 150 mm |
| Light color temperature scale (K) | 4000 K | Minimum distance from GAS hob | 650 mm |
| Free outlet maximum capacity | 780 m ³ /h | Minimum distance from ELECTRIC hob | 600 mm |
| Motor power | 250 W | | |

| | Extraction rate IEC 61591 [m ³ /h] | Noise level IEC 60704-2-13 [dBA] |
|---------|---|----------------------------------|
| Speed 1 | 300 | 46 |
| Speed 2 | 450 | 55 |
| Speed 3 | 630 | 62 |

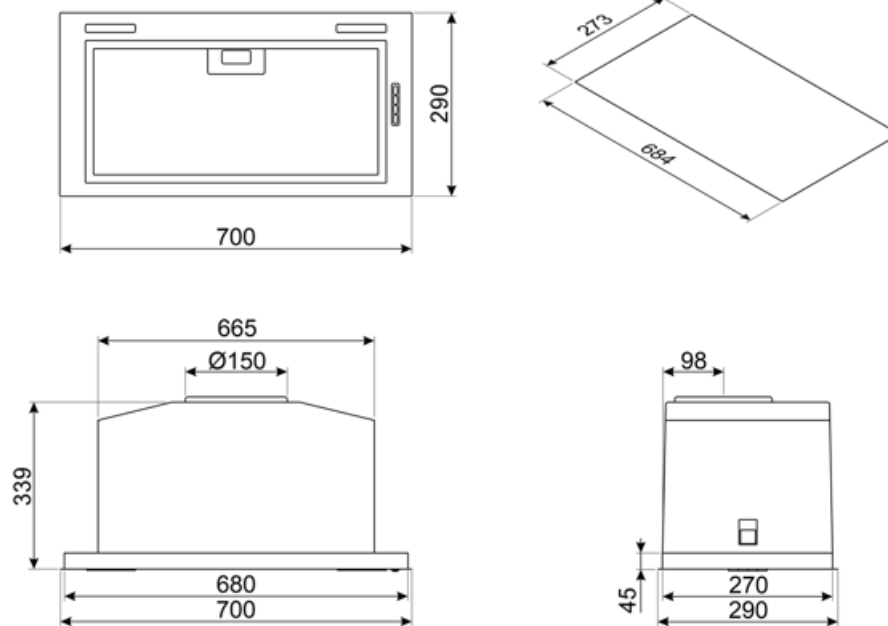
| | | |
|-----------------|-----|----|
| Intensive speed | 750 | 66 |
|-----------------|-----|----|

Accessories Included

Tube reduction Yes

Electrical Connection

| | | | |
|------------------------------|-----------|---------------------------|---------------|
| Electrical connection rating | 252 W | Frequency (Hz) | 50-60 Hz |
| Current | 10 A | Power supply cable length | 1500 mm |
| Voltage | 220-240 V | Plug | (I) Australia |



Compatible Accessories

KITFC152

Charcoal filters Round Kit 2 pieces



Symbols glossary



Filters: Model has filters to help remove grease from the steam emanating from the pans during cooking.



Lights: All cooker hoods feature lights to illuminate the cooking area or add to the ambience of the kitchen.



Intensive/turbo setting: when extra fast extraction is required.