

SHU971X

Product family	Hood
Hood Type	Integrated hood
Design	Ceiling
Extraction	Recirculation
Material	Stainless steel
Type of steel	Brushed
EAN code	8017709336516
Aesthetic	Universale
Colour	Stainless steel
Finishing	Satin





Controls

Control setting	Buttons
-----------------	---------

Program / Functions

No. of speeds	3
Intensive speed	

Technical Features

			
No. of lights	2	No. of filters	3
Light type	LED	Anti-grease filters	Stainless steel
Light Power	1,1 W	Vent outlet	150 mm
Light color temperature scale (K)	4000 K	Minimum distance from GAS hob	650 mm
Free outlet maximum capacity	780 m ³ /h	Minimum distance from ELECTRIC hob	600 mm
Motor power	250 W		

	Extraction rate IEC 61591 [m ³ /h]	Noise level IEC 60704-2-13 [dBA]
Speed 1	300	46
Speed 2	450	55
Speed 3	630	62

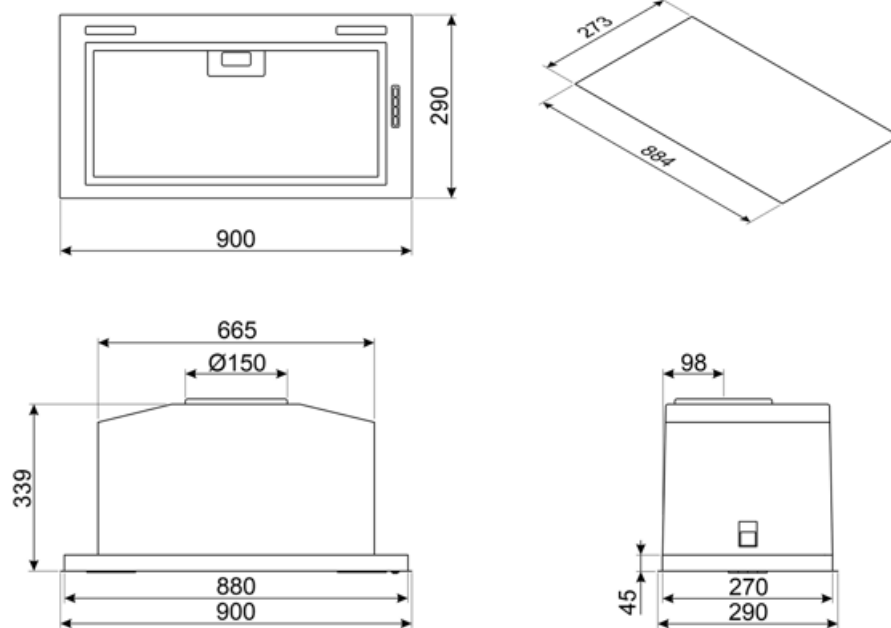
Intensive speed	750	66
-----------------	-----	----

Accessories Included

Tube reduction Yes

Electrical Connection

Electrical connection rating	252 W	Frequency (Hz)	50-60 Hz
Current	10 A	Power supply cable length	1500 mm
Voltage	220-240 V	Plug	(I) Australia



Compatible Accessories

KITFC152

Charcoal filters Round Kit 2 pieces



Symbols glossary



Filters: Model has filters to help remove grease from the steam emanating from the pans during cooking.



Lights: All cooker hoods feature lights to illuminate the cooking area or add to the ambience of the kitchen.



Intensive/turbo setting: when extra fast extraction is required.