

SI7633B1



Product Family	Hob
Built-in	Ultra-low profile
Dimensions	60 cm
Power supply	Electric
Type	Induction
EAN code	8017709335946



Aesthetics



Aesthetics	Universal
Colour	Black
Finishing	Glass
Material	Glass
Glass Type	Ceramic
Glass edge	Bevelled Front Edge
Type of control setting	Multi Slider
Slider	Yes
Slider	Red
Control knobs position	Front
Serigraphy colour	Grey

Program / Functions



No. of induction cook zones	3
No. of cooking zones with booster	3
Main on/off switch	Yes
Power levels	14
Auto-Vent	Yes
Total no. of cook zones	3

Options



Standard cut out	490x560 mm	Residual time indicator	Yes
End cooking timer	3	Show Room Demo Option	Yes
Pause option	Yes	Control Lock / Child Safety	Yes
Minute minder	3	Rapid level selection	Yes
End of cooking acoustic alarm	Yes		

Technical Features

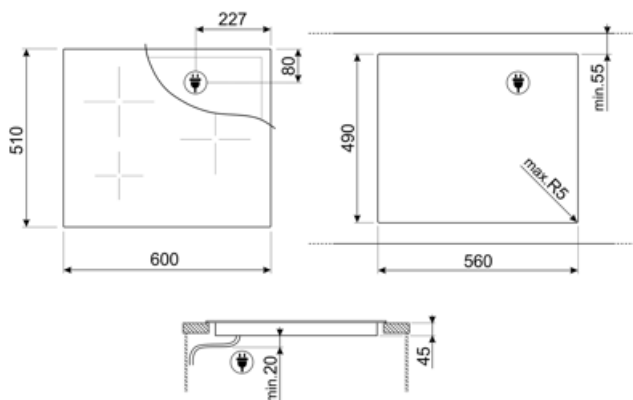


Front left - Induction - single - 2.30 kW - Booster 3.70 kW - 21 cm
 Rear left - Induction - single - 1.40 kW - Booster 2.50 kW - 14,5 cm
 Front right - Induction - giant - 1.80 - 2.80 kW - Booster 3.50 - 5.20 kW - 18/28 cm

Automatic setting according to pan dimension	Yes	Automatic switch off when overflow	Yes
Automatic pan detection	Yes	Eco-Heat	Yes
Minimum pan diameter indication	Yes	Eco-Off	Yes
Automatic switch off when overheat	Yes		

Electrical Connection

Nominal power (W)	7350 W	Frequency (Hz)	50/60 Hz
Voltage (V)	220 - 240 V	Power supply cable length	150 cm
Type of electric cable	Single phase	Terminal Box	6 poles



Compatible Accessories



GRILLPLATE

Universal griddle for induction, gas, ceramic and electric hobs. Non-stick surface ideal for cooking meat, cheese and vegetables. Dimensions: 410 x 240 mm.



SCRP

Induction and ceramic hobs and teppanyaki scraper



TPK

Stainless steel grill plate to cook Teppanyaki dishes



TPKPLATE

Universal plate for induction, gas, ceramic and electric hobs. Non-stick surface ideal for cooking fish, eggs and vegetables. Dimensions: 410 X 240 mm.

Symbols glossary

 <p>A smart infrared system, which allows a hood and hob with this feature to work together.</p>	 <p>Power booster: option allows the zone to work at full power when very intense cooking is necessary.</p>
 <p>Ultra-low profile: Installation of product with flat edge - height of 1 mm.</p>	 <p>Child lock: some models are fitted with a device to lock the programme/cycle so it cannot be accidentally changed.</p>
 <p>Premium individual Slider control for each zone</p>	 <p>The slider control panel allows you to adjust the power simply by passing your finger across the touch device.</p>
 <p>Eco-Heat: this function warns when the zone is still hot after being switched off. As well as ensuring maximum safety by preventing burns, this also allows you to make use of residual heat to continue cooking or keep foods hot.</p>	 <p>Eco-Off: This energy-saving function shuts the zone down before the timer sounds, making use of the residual heat in the pan.</p>
 <p>Giant zone: The giant zone offers extra space and flexibility.</p>	 <p>Overheat protection: The safety system that automatically turns off the hob in case of overheating of the control unit.</p>
 <p>Induction: The work of these hobs is based on the principle of electromagnetic induction. The heat is generated directly in the bottom of the pan during its contact with the hob.</p>	 <p>Overfill protection: The special overfill protection shuts down the stove in the presence of overflow of liquids.</p>
 <p>PAUSE_72dpi</p>	 <p>Quick selection, with one touch cooking begins at the highest level, then automatically reduces after time. Ideal for dishes that require quick boiling and then continued cooking without constant control (eg beef broth).</p>
 <p>Time elapsed: shows how long the cooking zone has been in use.</p>	 <p>Timer: All ceramic hobs have a timer which automatically ends cooking after a preset time.</p>

Benefit

Induction hobs

Fast cooking and precise temperature control thanks to powerful induction technology

Glass

Brightness and elegance in the kitchen: the acid-etched glass gives the surface a refined, modern look that enhances the space.

Ceramic

Stability and design even up to 700°C: the cooktop material resists high temperatures without deforming, maintaining aesthetics and functionality even with intensive use.

Precise and versatile cooking with Multi Slider controls and white LEDs, combining functionality with minimal design

Control knob position frontal

Instant and intuitive control thanks to front controls, easily accessible for practical use.

Cooking always under control with 14 power levels, ensuring maximum precision