

SP116D

Sink material	Stainless steel
Type	Welded sink
No. of bowls	2
Drainer	Right
EAN code	8017709015398



Aesthetics



Aesthetic	Universale	Building in type	Standard
Colour	Stainless steel	Logo	Embossed
Finishing	Brushed	Tap hole / precut tap hole	1 Tap hole
Series	Alba		

	Bowl type RH	Bowl thickness (mm)	Bowl dimensions, WxDxH (mm)	Bowl depth (mm)	Radius corner right bowl (mm)	Overflow	Strainer position	Strainer dimension
RH Bowl	Traditional	0.7	340 x 400 x 210	210	80	Yes, traditional	Wall position	3.5"
LH Bowl	Traditional	0.7	340 x 400 x 210	210	80		Wall position	3.5"

Technical Features



Frame thickness	0.7 mm	Tap hole diameter	35 mm
Frame depth (mm)	13	Dividing wall width	30 mm
Dimensions of the product (mm)	220x1160x500 mm	Drainer inclination	2 °
Cutout dimension topmount (mm)	1140 x 480 mm	Gasket type	Sealing paste
Height from kitchen top	8 mm	No. of clips	8
Base unit size	80 cm	Type of clips	Standard

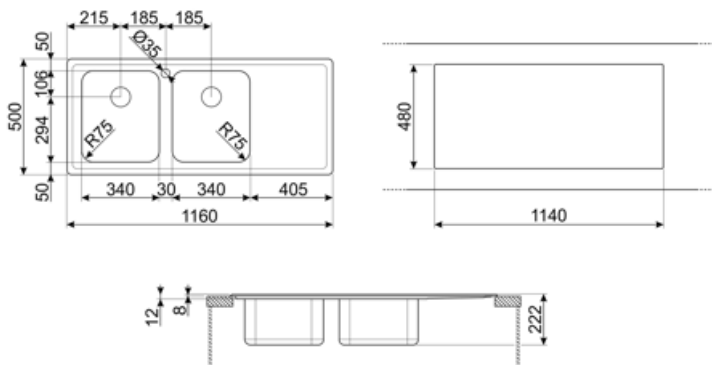
Tap hole

1

Accessories included

Accessories for installation

Strainer, Savespace siphon with dishwasher outlet connection, Fixing clips, Gasket



Compatible Accessories



3713

Siphon double bowls sinks (dishwasher connection included)



CB34

Single wooden chopping board to fit STD radius 340 x 400 mm bowl



COL19H

St/Steel colander to fit MINIMUM radius mm bowl, measures 200 x 410 x 100 mm



KITFD050

Waste disposal 0,5 HP, Motor: 1/2 horsepower, Fits all sinks with 3 1/2" waste outlet



KITFD100

Waste disposal 1 HP, Motor: 1/2 horsepower, Fits all sinks with 3 1/2" waste outlet



STABMIX

Tap stabiliser



CB25MN

Single HPE chopping board to fit minimum radius bowls, black matt, measures 250 x 410 H 12 mm, dishwasher safe



COL19

St/Steel colander to fit MINIMUM radius mm bowl, measures 200 x 410 x 26 mm



DB34

St/steel drain basket to fit STD radius 340 x 400 bowl, 180 mm depth



KITFD075

Waste disposal 0,75 HP, Motor: 1/2 horsepower, Fits all sinks with 3 1/2" waste outlet



RND2V

2 Bowls standard Rondò waste kit with rectangular overflow

Symbols glossary



Cupboard width required for sink installation.



Sink depth - depending on the model, the depth can be from 13 to 24,5.



Standard installation: Traditional installation in tabletop, suitable for any kitchen sets.