

# SP7915SN

Sink material	Stainless steel
Type	Welded sink
No. of bowls	1 + 1/2
Drainer	Left
EAN code	8017709175306



## Aesthetics



<b>Aesthetic</b>	Universal	<b>Logo</b>	Engraved
<b>Serie</b>	Alba	<b>Alternative colours available</b>	Stainless steel, Stainless steel PVD Copper, Stainless steel PVD Brass
<b>Colour</b>	Black	<b>Half bowl cup drainer</b>	Yes
<b>Acabamento</b>	PVD Escovado	<b>Tap hole / precut tap hole</b>	1 Tap hole
<b>Building in type</b>	Standard		

	Bowl type RH	Bowl thickness (mm)	Bowl dimensions, WxDxH (mm)	Bowl depth (mm)	Radius corner right bowl (mm)	Overflow	Strainer position	Strainer dimension
RH Bowl	Traditional	0.7	340 x 400 x 210	210	80	Yes, traditional	Wall position	3.5"
LH Bowl	Half bowl	0.7	165 x 300 x 130	130	80	Yes, traditional	Centre of bowl	3.5"

## Technical Features

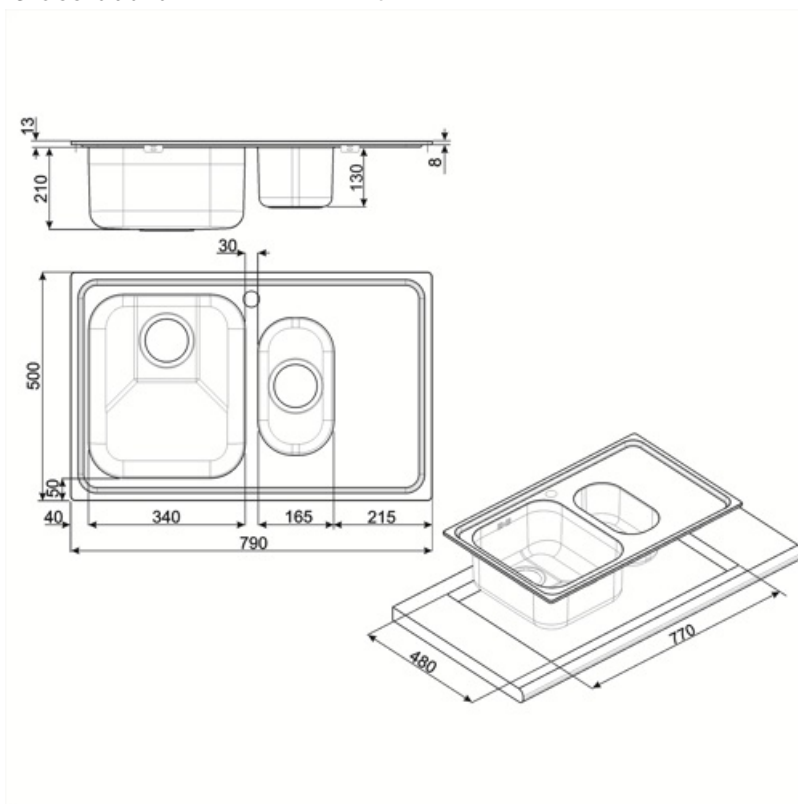


<b>Frame thickness</b>	0,7 mm	<b>Popup command</b>	No
<b>Frame depth (mm)</b>	13	<b>Dividing wall width</b>	30 mm
<b>Dimensions of the product (mm)</b>	223x790x500 mm	<b>Drainer inclination</b>	2 °
<b>Cutout dimension topmount (mm)</b>	770 x 480 mm	<b>Gasket type</b>	Sealing paste
		<b>Pre-assembled gasket</b>	No

<b>Cutout radius</b>	15 mm	<b>No. of clips</b>	8
<b>Height from kitchen top</b>	8 mm	<b>Type of clips</b>	Standard
<b>Base unit size</b>	60 cm		
<b>Tap hole</b>	1		

## Accessories Included

<b>Accessories for installation</b>	Strainer, Siphon with dishwasher outlet connection, Fixing clips, Gasket	<b>Basket</b>	No
		<b>Wooden board</b>	No
		<b>White board</b>	No
<b>Colander</b>	No		
<b>Glass board</b>	No		



---

## Compatible Accessories

---



### CB34

Tábua de cortar única de madeira dura para caber sobre pia de 340 x 400 mm



### KITFD075

Eliminação de resíduos 0,75 CV Motor: 3/4 CV Adapta-se a todas as pias com saída de resíduos de 3 1/2"



### STABMIX

estabilizador para misturadores



### KITFD050

Eliminação de resíduos 0,5 CV Motor: 1/2 cv Serve para todas as pias com saída de resíduos de 3 1/2"





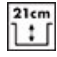

### KITFD100

Eliminação de resíduos 1 CV Motor: 1 cv Serve para todas as pias com saída de resíduos de 3 1/2"

---

## Symbols glossary

---

- |  |  |   |  |
|--|--|---|--|
|  | Largura do armário necessária para a instalação da pia                           |  | Profundidade da pia - dependendo do modelo, a profundidade pode ser de 13 a 24,5                       |
|  | Profundidade da pia - dependendo do modelo, a profundidade pode ser de 13 a 24,5 |  | Instalação padrão: Instalação tradicional em tampo de mesa, adequado para qualquer conjunto de cozinha |

---

## Benefit (TT)

---

### **Two bowls**

Two bowls for greater versatility and dual functionality

### **Drainer**

The drawer allows dishes, cutlery and kitchen utensils to be placed directly on the sink after washing: excess water can drain into the sink, allowing for natural drying

### **Tap hole**

Possibility of having the tap hole for direct installation of the tap on the sink, for a larger and neater surface area