

# SP791S-2

Sink material	Stainless steel
Type	Welded sink
No. of bowls	1
Drainer	Left
EAN code	8017709139315



## Aesthetics



<b>Aesthetic</b>	Universale	<b>Building in type</b>	Standard
<b>Colour</b>	Stainless steel	<b>Logo</b>	Embossed
<b>Finishing</b>	Brushed	<b>Alternative colours available</b>	Stainless steel PVD Black, Stainless steel PVD Copper, Stainless steel PVD Brass
<b>Series</b>	Alba	<b>Tap hole / precut tap hole</b>	1 Tap hole

	Bowl type RH	Bowl thickness (mm)	Bowl dimensions, WxDxH (mm)	Bowl depth (mm)	Radius corner right bowl (mm)	Overflow	Strainer position	Strainer dimension
RH Bowl	Traditional	0.7	400 x 340 x 210	210	80	Yes, traditional	Wall position	3.5"

## Technical Features



<b>Frame thickness</b>	0,7 mm	<b>Tap hole diameter</b>	35 mm
<b>Frame depth (mm)</b>	13	<b>Drainer inclination</b>	1 °
<b>Dimensions of the product (mm)</b>	220x790x500 mm	<b>Gasket type</b>	Sealing paste
<b>Cutout dimension topmount (mm)</b>	770 x 480 mm	<b>No. of clips</b>	6
<b>Height from kitchen top</b>	8 mm	<b>Type of clips</b>	Standard
<b>Base unit size</b>	45 cm	<b>Possibility to install waste disposal</b>	Yes

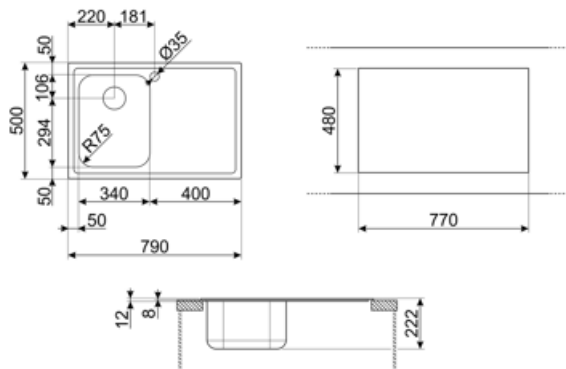
Tap hole

1

## Accessories included

Accessories for installation

Strainer, Savespace siphon with dishwasher outlet connection, Fixing clips, Gasket



## Compatible Accessories



**3712**

Siphon single bowl sinks (dishwasher connection included)



**CB34**

Single wooden chopping board to fit STD radius 340 x 400 mm bowl



**COL19H**

St/Steel colander to fit MINIMUM radius mm bowl, measures 200 x 410 x 100 mm



**KITFD050**

Waste disposal 0,5 HP, Motor: 1/2 horsepower, Fits all sinks with 3 1/2" waste outlet



**KITFD100**

Waste disposal 1 HP, Motor: 1/2 horsepower, Fits all sinks with 3 1/2" waste outlet



**STABMIX**

Tap stabiliser



**CB25MN**

Single HPE chopping board to fit minimum radius bowls, black matt, measures 250 x 410 H 12 mm, dishwasher safe



**COL19**

St/Steel colander to fit MINIMUM radius mm bowl, measures 200 x 410 x 26 mm



**DB34**

St/steel drain basket to fit STD radius 340 x 400 bowl, 180 mm depth



**KITFD075**

Waste disposal 0,75 HP, Motor: 1/2 horsepower, Fits all sinks with 3 1/2" waste outlet



**RND1V**

Rondò waste kit 1 bowl with standard overflow

---

## Symbols glossary

---



Cupboard width required for sink installation.



Sink depth - depending on the model, the depth can be from 13 to 24,5.



Standard installation: Traditional installation in tabletop, suitable for any kitchen sets.