

SPF516

| | |
|--|---|
| Family | Professional dishwasher |
| Subfamily | Raised |
| Type | Raised traywasher |
| Crockery | Crockery; Cutlery; EN 600x400 trays; GN1/1 trays |
| Basket dimensions | 500x500 mm |
| Control panel | Electronic |
| Standard drain pump with partial water renewal in the wash tank | Yes |
| Rinse pump | HTR system |
| Boiler type | Atmosferic boiler |
| Wash pump | Standard |
| Power connection | 400 V 3N~ / 12 A / 7,3 kW / 50 Hz |
| Product dimensions (WxDxH) | 600x690x1315 mm |



Target

| | |
|-------------------|--|
| Industries | Hotels; Restaurants; Bakeries / Pastry shops; Care facilities ; Catering; Commercial food services; Butcher shops / Delicatessens |
|-------------------|--|

Aesthetics

| | | | |
|------------------|-------|---------------|----------|
| Led color | Green | Series | Easyline |
|------------------|-------|---------------|----------|

Technical Features

| | | | |
|--|------------|--------------------------------|------------------------|
| Trays number | 7 x GN1/1 | Inlet pressure | 100-1000 kPa (min-max) |
| Trays washing option | Yes | Detergent load | 1,5 l/h |
| Water consumption per cycle | 3,2 l | Rinse load | 0,4 l/h |
| Min. water connection temperature | 5°C | Usable load height | 400 mm |
| Minimum water consumption per cycle | 3,2 l | Depth with open door | 1290 mm |
| Max. inlet temperature | 60°C | Maximum dishes diameter | 415 mm |
| Max water hardness | 5°f - 3°dH | | |

Programs

| | |
|-----------------------------|--|
| Programs | 6 automatic programs; 1 fully customizable program; Self-cleaning programs |
| Program options | Extra rinse; Clean water cycle |
| Program table | Easyline dishwasher and traywasher 500 |
| Maximum basket/hour | 51 |
| Maximum dishes/hour | 720 |
| Maximum glasses/hour | 2160 |

Electrical Connection

| | | | |
|-------------------------------------|--------|---------------------------------------|---|
| Tank heating element power | 2000 W | Default connection | 6730 W |
| Boiler heating element power | 6000 W | Optional electrical connection | 220 V 3~ / 19 A / 6,8 kW / 60 Hz; 220 V 3~ / 19 A / 7,3 kW / 60 Hz; 230 V~ / 15 A / 3,4 kW / 50 Hz; 230 V~ / 17 A / 3,9 kW / 50 Hz; 230 V~ / 20 A / 4,5 kW / 50 Hz; 230 V~ / 22 A / 5,0 kW / 50 Hz; 400 V 3N~ / 12 A / 6,8 kW / 50 Hz |
| Wash pump power | 730 W | Plug | Not present |

Interface

| | | | |
|--------------------------------|---------|-----------------------------|-----|
| Display | 8 digit | Cycle progress alert | Yes |
| On/Off button | Yes | End-cycle alert | Yes |
| Rinse aid missing alert | Yes | Manual diagnostic | Yes |
| Detergent missing alert | Yes | | |

Construction

| | | | |
|--------------------------|--|--------------------------|-----------------------|
| Tank Construction | Deep drawn Integral double-skin | Rack guides | Embossed |
| Tank material | Stainless steel AISI 304 | Filter | 5-stage filter system |
| Back panel | St/steel | Tank capacity | 11 l |
| Balanced door | Yes | Boiler capacity | 6,5 l |
| Upper wash system | One wash and one split rinse spray arms, stainless steel | Noise | Lpa 54,5 dBA |
| Lower wash system | One wash and one split rinse spray arms, stainless steel | Protection class | IPX4 |
| Tank filter | Stainless steel | Adjustable feet | Yes |
| Door gasket | On 3 sides | Drain max. height | 600 mm |

Accessories included

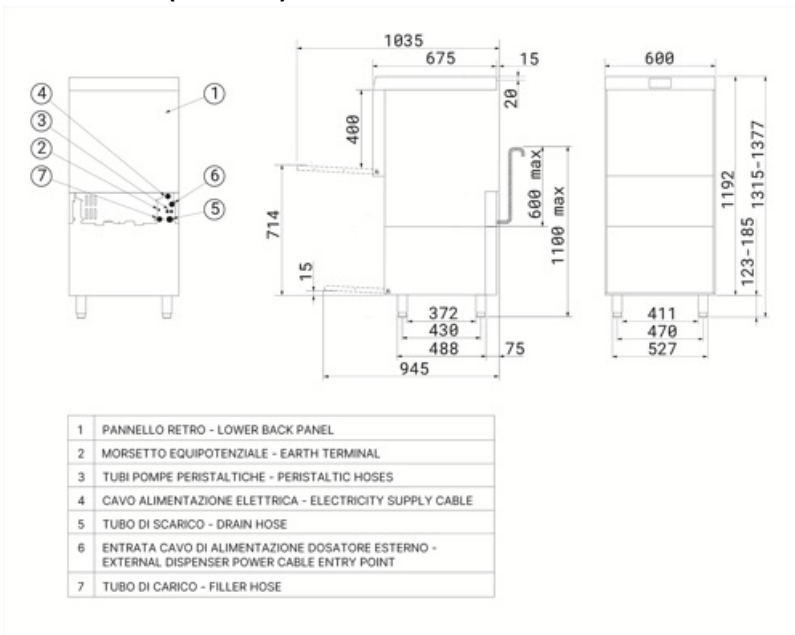
| | | | |
|--------------------|---------------|--------------------------|-----------|
| Flat basket | 1x PB50G02 | Water supply hose | Yes - 2 m |
| Grids | 1 x KIT-WG500 | Drain hose | Yes - 2m |

Equipments

| | | | |
|---------------------------------|----------------------------------|---------------------------------|------------------|
| Peristaltic detergent dispenser | Electronic control | Option for auto daily switch on | Yes, default OFF |
| Peristaltic rinse-aid dispenser | Electronic control | Cycle counter | Yes |
| Chemicals level probe | Yes, with optional kit KITSONLIV | Break tank | Yes |
| Rinse boiler Thermostop system | Yes - default | Water supply pipe diameter | DN15 - ½" |
| Wash tank Thermostop system | Yes | Drain supply pipe diameter | DN20-G 3/4" |
| Wash pump soft start system | Yes | Detergent (red) hose length | 2,2 m |
| Stand-by system | Yes | Rinse aid (blue) hose length | 2,2 m |

Logistic Information

| | | | |
|-----------------------------------|----------------|--------------|------------|
| EAN code | 8017709345686 | Net weight | 88,000 kg |
| Packed product dimensions (WxDxH) | 660x700x990 mm | Gross weight | 108,000 kg |



Compatible Accessories

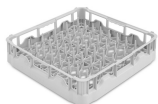
KITSONLIV

Probe level kit



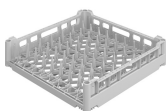
PB50D01

Polypropylene basket for 18 plates
Ø250 mm max, dim.(WxDxH)
500x500x105 mm



PB50T01

Polypropylene basket for 8 trays GN 1/1
h 40 mm for traywasher and hood-type
models. Vertical row spacing 68 mm and
horizontal row spacing 54 mm, dim.
(WxDxH) 500x500x105 mm



PHOOS04

4 compartments polypropylene basket
for cutlery



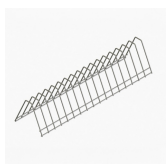
WB50T02

Wire basket for 7 trays GN1/1 h 20 mm,
dim. (WxD) 500x500 mm



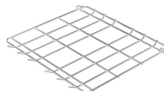
WH00S01

Wire insert for 17 small dishes, width
100 mm, for flat bottom baskets
500x500 and 600x500 mm



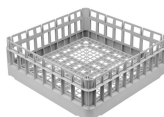
KIT-WG500

Support grid for tray washer, dim.
(WxD) 500x500 mm



PB50G02

Universal flat bottom polypropylene
basket, internal height 150 mm, dim.
(WxDxH) 500x500x170 mm



PHOOS01

Polypropylene single basket for
cutlery



WB50D01

Wire basket for 18 dishes Ø250 mm
max or trays h 370 mm, dim. (WxDxH)
500x500x92 mm



WB50T03

Wire basket for 6 trays GN1/1 h 60
mm and EN 600x400 mm for double-
skin model. 64 mm row spacing, dim.
(WxDxH) 500x500x206 mm



Benefit (TT)

Balanced door

Effortless opening and closing

The counterbalanced door is designed to ensure smooth and effortless opening and closing, providing high user convenience. Additionally, it can be locked in a halfway position, a particularly useful feature for promoting natural drying at the end of the workday, enhancing overall hygiene and preventing the buildup of residual moisture.

5-stage system

Deep cleaning and spotless washes with the patented filtration system

The innovative Smeg filtration system consists of 5 stages to completely eliminate all impurities: the 1st stage captures larger food residues; in the 2nd and 3rd stages, finer particles are captured at this filtration stage; the 4th stage features a pre-filtration grid to prevent debris from entering the tank and clouding the water. Finally, the last stage is designed to further protect the washing and draining pumps from any debris that may accidentally enter the tank during filter cleaning.

HTR System

Consistent temperatures and pressures for uniform and effective dishwashing

Thanks to the HTR system (High Temperature Rinse) and the presence of the atmospheric boiler combined with the Thermostop, the cold inlet water does not enter the boiler during rinsing, ensuring a constant rinsing temperature according to the program setting. The HTR system keeps the water hot for deep sanitisation and quick drying, ensuring constant pressure for uniform and effective cleaning.

Moulded tank

Superior washing performance and enhanced cleaning convenience with molded tub bottoms and basket guides

Smeg dishwashers are designed with moulded tank and basket guides. The absence of sharp edges ensures an optimised wash flow, guaranteeing hygiene and impeccable cleaning performance. Furthermore, this innovative design simplifies machine cleaning, reducing the need for maintenance interventions.

Integral double-skin

Thermal and acoustic insulation guaranteed

The double-skin design of undercounter dishwashers is engineered to optimise energy efficiency by minimising heat loss and accelerating water heating, resulting in lower energy consumption and faster start-up times. Additionally, it provides effective sound insulation, helping to reduce noise levels and ensuring a quieter, more comfortable working environment for staff.

Drain pump

Partial water replacement during the wash cycle for clean and hygienic dishes

The standard drain pump, equipped with a partial water exchange system, ensures that the dirtiest water is automatically removed at every wash cycle. This mechanism allows for continuous renewal of the water used, ensuring that each phase of the washing process is carried out with clean water. The result is optimal dishwashing performance, with outstanding efficiency and an impeccable level of hygiene.

Soft-start system

Effective management of the washing pump to protect your glassware

The Soft-Start function initiates the wash cycle gently and gradually, progressively increasing the water pressure. This system has been designed to provide optimal protection for the most fragile items, such as crystal glasses, significantly reducing the risk of chipping or damage. At the same time, it ensures excellent cleaning performance, combining efficiency and safety in every wash cycle.

Raised version

Easy and fast dishwasher loading and unloading operations

The raised design facilitates loading and unloading dishes, making these tasks faster and more efficient. This results in significant time savings, especially valuable in high-intensity work environments.

The space below the dishwasher can be used to store detergents, utensils, or other accessories, providing a practical solution to optimise space usage, particularly in compact kitchens.