

SPF525S

Família	Máquina de lavar louça profissional
Subfamília	Raised
Tipo	Raised Dishwasher
Louça	Louça; Copos; Talheres; GN1/1 trays
Dimensões do cesto	500x500 mm
Painel de comandos	Ecrã Touch
Standard drain pump with partial water renewal in the wash tank	Sim
Bomba de enxaguamento	Self-Adaptive HTR+
Tipo de caldeira	Atmosferic boiler
Bomba de lavagem	Variable speed AdaptWash
Ligação energética	400 V 3N~ / 15 A / 8,4 kW / 50 Hz
Dimensões do produto (LxPxA)	600x600x1315 mm



Mercado

Indústrias	Bares, Cafés e Pubs; Hotelaria; Restaurantes / Catering; Padarias / Pastelarias; Estabelecimentos de Cuidados; Supermercados / Comércio de alimentos; Catering; Indústrias Alimentares; Talhos
-------------------	--

Design

Cor dos LEDs	Branco	Design	Pura
---------------------	--------	---------------	------

Especificações técnicas

Trays number	7 x GN1/1	Temperatura máxima de entrada:	60°C
Opção de lavagem dos tabuleiros	Sim	Dureza máxima da água	60°f - 34°dH
Consumo de água por ciclo	2,5 l	Pressão de entrada	100-1000 kPa (min-max)
Temperatura de lavagem (mín.-máx)	60 °C - 70 °C	Carga de detergente	1,5 l/h
Temperatura de enxaguamento (mín.-máx.)	65 °C - 87 °C	Carga de enxaguamento	0,4 l/h
Temperatura de enxaguamento a frio	24 °C	Altura de carga operável	400 mm
		Profundidade com porta aberta	1022 mm

Temperatura pré-definida de ligação da água	5°C
Consumo mínimo de água por ciclo	1,8 l

Programas

Programas	10 programas personalizáveis; Programas de autolimpeza
Opções do programa	Enxaguamento extra; Ciclo da água limpa
Tabela de programas	Lava-louças Pura 500
Visibilidade do programa	Sim
Numero máximo de cestos/hora	60
Numero máximo de pratos/hora	1080
Numero máximo de copos/hora	2160

Conectividade

SmegConnect Pro Conectividade	Sim Wi-Fi	PST certificate support period [UK]	24 months
		Caducidade do período de assistência UK PSTI	2027-12-31

Ligação elétrica

Potência do elemento de aquecimento do tanque	2000 W	Ligação pré-definida	8400 W
Potência do elemento de aquecimento da caldeira	5700 W	Ligação eléctrica opcional	230 V 3~ / 24 A / 8,4 kW / 50 Hz; 230 V~ / 14 A / 3,1 kW / 50 Hz; 230 V~ / 31 A / 7,1 kW / 50 Hz
Potência da bomba de lavagem	700 W	Ficha eléctrica	Não

Interface

Display	Display TFT	Alerta de falta de detergente	Sim
Luz indicadora On/Off	Sim	Indicador da fase do programa	Sim
Luz indicadora de falta de sal	Sim	Indicador de fim do programa	Sim
Alerta de falta de abrillantador	Sim	Diagnóstico manual	Sim

ESPECIFICAÇÕES TÉCNICAS

Cuba	Profundo	Hood elevation system	Manual
Tipologia	Parede dupla	Filtro	Sistema de filtragem de 5 estágios
Material da cuba	Aço inox AISI 304		

Painel traseiro	St/steel	Sensor de presença de filtro	Sim
Porta equilibrada	Sim	Capacidade da cuba	11 l
Sistema de lavagem superior	Um braço de lavagem e um braço de enxaguamento dividido, em aço inoxidável.	Capacidade da caldeira	6.5 l
Sistema de lavagem inferior	One wash and one split rinse spray arms, stainless steel	Ruído	Lpa 54,5 dBA
Filtro da cuba	Aço inox	Porta USB	Sim
Junta da porta	Em 3 lados	Classe de Proteção	IPX4
Guias dos cestos	Embutidas	Pés ajustáveis	Sim
		Altura max. de drenagem	600 mm

Acessórios incluídos

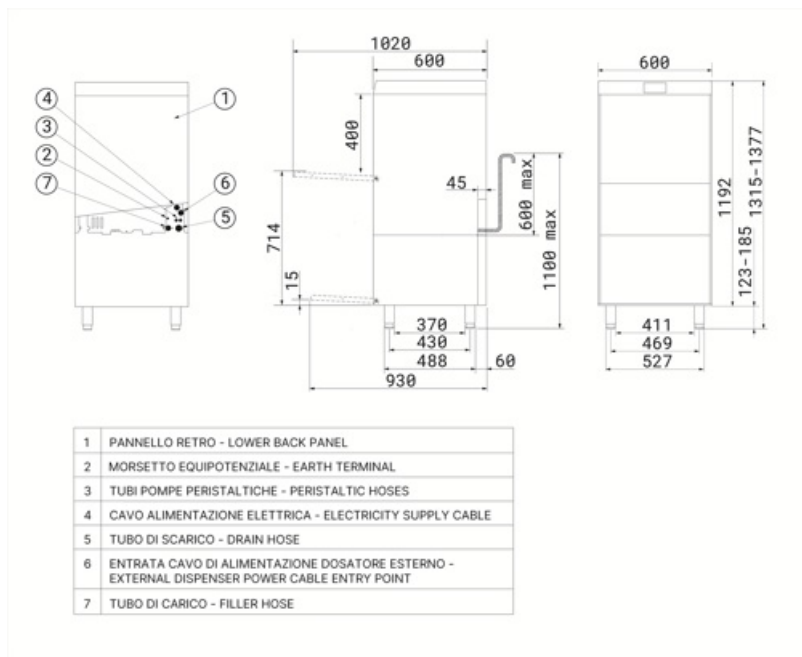
Cesto para pratos	1x PB50D01	Mangueira de abastecimento de água	Sim - 2m
Cesto para talheres	1x PHOOS04	Mangueira de drenagem	Sim - 2m
Cesto de fundo plano	1x PB50G02		

Equipamentos

Dispensador peristáltico de detergente	Controlo eletrónico	Opção para ativação automática diária	Sim, desligado por definição
Dispensador peristáltico de abrillantador	Controlo eletrónico	Contador de ciclos	Sim
Sonda de nível químico	Sim, opcional KITSONLIV	Tanque de Ruptura	Sim
Amaciador automático incorporado	Sim	Diâmetro do tudo de abastecimento de água	DN15 - ½"
Sistema Thermostop para caldeira de enxaguamento	Yes - default	Ø do tubo de drenagem	DN20-G 3/4"
Sistema Thermostop no tanque de lavagem	Sim	Comprimento da mangueira de detergente (vermelha)	2,2 m
Sistema de arranque suave da bomba de lavagem	Sim	Comprimento da mangueira de enxaguamento (azul)	2,2 m
Sistema Stand-by	Sim		

Dados de logística

Código EAN	8017709348502	Peso líquido (kg)	89.000 kg
Dimensões do produto embalado (LxPxX)	660x700x1470 mm	Peso bruto (kg)	99.000 kg



Acessórios Compatíveis



KITSONLIV

Probe level kit



PB50G01

Universal flat bottom polypropylene basket, internal height 73 mm, dim. (WxDxH) 500x500x100 mm



PHOOS01

Polypropylene single basket for cutlery



WB50D01

Wire basket for 18 dishes Ø250 mm max or trays h 370 mm, dim. (WxDxH) 500x500x92 mm



WB50G02

Wire basket with sloped bottom for 25 glasses Ø90 mm max, dim. (WxDxH) 500x500x170 mm



WB50G04

Wire basket with sloped bottom for 12 glasses Ø110 mm max or 9 glasses Ø135 mm max, dim. (WxDxH) 500x500x165 mm



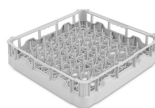
WB50T02

Wire basket for 7 trays GN1/1 h 20 mm, dim. (WxD) 500x500 mm



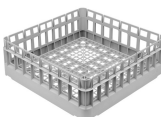
WS5

Estrutura inferior para máquina de lavar copos e máquina de lavar louça 500



PB50D01

Polypropylene basket for 18 plates Ø250 mm max, dim.(WxDxH) 500x500x105 mm



PB50G02

Universal flat bottom polypropylene basket, internal height 150 mm, dim. (WxDxH) 500x500x170 mm



PHOOS04

4 compartments polypropylene basket for cutlery



WB50G01

Universal wire basket with flat bottom, internal height 120 mm, dim. (WxDxH) 500x500x130 mm



WB50G03

Wire basket with sloped bottom for glasses Ø72 mm max, dim. (WxDxH) 500x500x235 mm



WB50PG5

Wire basket with flat bottom for 25 plastic glasses, max. H 230 mm, min.-max. Ø 36-95 mm, dim. (WxDxH) 500x500x260 mm



WH00S01

Wire insert for 17 small dishes, width 100 mm, for flat bottom baskets 500x500 and 600x500 mm

Benefit (TT)

Balanced door

Effortless opening and closing

The counterbalanced door is designed to ensure smooth and effortless opening and closing, providing high user convenience. Additionally, it can be locked in a halfway position, a particularly useful feature for promoting natural drying at the end of the workday, enhancing overall hygiene and preventing the buildup of residual moisture.

5-stage system

Deep cleaning and spotless washes with the patented filtration system

The innovative Smeg filtration system consists of 5 stages to completely eliminate all impurities: the 1st stage captures larger food residues; in the 2nd and 3rd stages, finer particles are captured at this filtration stage; the 4th stage features a pre-filtration grid to prevent debris from entering the tank and clouding the water. Finally, the last stage is designed to further protect the washing and draining pumps from any debris that may accidentally enter the tank during filter cleaning.

HTR+ System

Self-adaptive rinsing system for intelligent water management

The self-Adaptive HTR+ System monitors and adjusts the rinse volume with each wash cycle. The intelligent rinse management ensures the perfect amount of water and heat on the dishes, delivering consistent, reliable results, cycle after cycle.

Moulded tank

Superior washing performance and enhanced cleaning convenience with molded tub bottoms and basket guides

Smeg dishwashers are designed with moulded tank and basket guides. The absence of sharp edges ensures an optimised wash flow, guaranteeing hygiene and impeccable cleaning performance. Furthermore, this innovative design simplifies machine cleaning, reducing the need for maintenance interventions.

Integrated softener

Effective water treatment for consistently sparkling glasses

The integrated continuous regeneration water softener ensures effective water treatment, enhancing washing performance and preserving the machine's operational lifespan. The resin regeneration process takes place during the wash cycle without interruptions, providing constant control over water hardness. This system prevents limescale buildup, maximises detergent efficiency, and guarantees spotless results on glassware and dishes.

Integral double-skin

Thermal and acoustic insulation guaranteed

The double-skin design of undercounter dishwashers is engineered to optimise energy efficiency by minimising heat loss and accelerating water heating, resulting in lower energy consumption and faster start-up times. Additionally, it provides effective sound insulation, helping to reduce noise levels and ensuring a quieter, more comfortable working environment for staff.

Drain pump

Partial water replacement during the wash cycle for clean and hygienic dishes

The standard drain pump, equipped with a partial water exchange system, ensures that the dirtiest water is automatically removed at every wash cycle. This mechanism allows for continuous renewal of the water used, ensuring that each phase of the washing process is carried out with clean water. The result is optimal dishwashing performance, with outstanding efficiency and an impeccable level of hygiene.

Soft-start system

Effective management of the washing pump to protect your glassware

The Soft-Start function initiates the wash cycle gently and gradually, progressively increasing the water pressure. This system has been designed to provide optimal protection for the most fragile items, such as crystal glasses, significantly reducing the risk of chipping or damage. At the same time, it ensures excellent cleaning performance, combining efficiency and safety in every wash cycle.

Raised version

Easy and fast dishwasher loading and unloading operations

The raised design facilitates loading and unloading dishes, making these tasks faster and more efficient. This results in significant time savings, especially valuable in high-intensity work environments. The space below the dishwasher can be used to store detergents, utensils, or other accessories, providing a practical solution to optimise space usage, particularly in compact kitchens.

MyPersonal Wash

10 pre-set washing programmes for a complete and ready-to-use solution

Each model in the PURA range offers 10 tested programmes, ensuring ready-to-use solutions for any washing requirement. With the MyPersonal Wash function, parameters such as time, temperature, pressure, and washing options can be customised, optimising cycles for delicate dishes or stubborn dirt. The result is a tailored wash, always flawless.

AdaptWash system

Consistently perfect washing pressure for flawless results with every wash

The AdaptWash system offers 3 pressure levels that automatically adjust based on the selected program, ensuring optimal cleaning for every type of load.

Hood lift

Unprecedented comfort with the patented lifting system

The new ergonomic handle, combined with the patented lifting system, minimises the effort required to open and close the hood, limiting it to just 2.5 kg. This system ensures an exceptionally smooth and lightweight operation, helping to protect the operator's health and well-being, even during extended use.

Program visibility

Program selection displayed for simplified dishwasher management

Users can select the programs to be displayed, hiding those that are unnecessary or unused. This feature not only helps prevent improper use of the appliance but also represents a significant step towards fully customising the user experience.