

# SPF526

Family	Professional dishwasher
Subfamily	Raised
Type	Raised traywasher
Crockery	Crockery; Cutlery; EN 600x400 trays; GN1/1 trays
Basket dimensions	500x500 mm
Control panel	Touch screen
Standard drain pump with partial water renewal in the wash tank	Yes
Rinse pump	Self-Adaptive HTR+
Boiler type	Atmosferic boiler
Wash pump	Variable speed AdaptWash
Power connection	400 V 3N~ / 15 A / 8,4 kW / 50 Hz
Product dimensions (WxDxH)	600x690x1315 mm



## Target

Industries	Hotels; Restaurants; Bakeries / Pastry shops; Care facilities ; Catering; Commercial food services; Butcher shops / Delicatessens
------------	--

## Aesthetics

Led color	White	Series	Pura
-----------	-------	--------	------

## Technical Features

Trays number	7 x GN1/1; 6 x EN 600x400	Max. inlet temperature	60°C
Trays washing option	Yes	Max water hardness	5°f - 3°dH
Water consumption per cycle	2,5 l	Inlet pressure	100-1000 kPa (min-max)
Wash temperature (min-max)	60 °C - 70 °C	Detergent load	1,5 l/h
Rinse temperature (min-max)	65 °C - 87 °C	Rinse load	0,4 l/h
Min. water connection temperature	5°C	Usable load height	400 mm
Minimum water consumption per cycle	1,8 l	Depth with open door	1020 mm

## Programs

<b>Programs</b>	10 customizable programs; Self-cleaning programs
<b>Program options</b>	Extra rinse; Clean water cycle
<b>Program table</b>	Pura traywasher 500
<b>Program visibility</b>	Yes
<b>Maximum basket/hour</b>	60
<b>Maximum dishes/hour</b>	1080
<b>Maximum glasses/hour</b>	2160

## Connectivity

<b>SmegConnect Pro Connectivity</b>	Yes Wi-Fi	<b>PST certificate support period [UK]</b>	24 months
		<b>UK PSTI support period end date</b>	2027-12-31

## Electrical Connection

<b>Tank heating element power</b>	2000 W	<b>Default connection</b>	8400 W
<b>Boiler heating element power</b>	5700 W	<b>Optional electrical connection</b>	230 V 3~ / 24 A / 8,4 kW / 50 Hz; 230 V~ / 14 A / 3,1 kW / 50 Hz; 230 V~ / 31 A / 7,1 kW / 50 Hz
<b>Wash pump power</b>	700 W	<b>Plug</b>	Not present

## Interface

<b>Display</b>	TFT	<b>Cycle progress alert</b>	Yes
<b>On/Off button</b>	Yes	<b>End-cycle alert</b>	Yes
<b>Rinse aid missing alert</b>	Yes	<b>Manual diagnostic</b>	Yes
<b>Detergent missing alert</b>	Yes		

## Construction

<b>Tank Construction</b>	Deep drawn Integral double-skin	<b>Hood elevation system</b>	Manual
<b>Tank material</b>	Stainless steel AISI 304	<b>Filter</b>	5-stage filter system
<b>Back panel</b>	St/steel	<b>Filter presence sensor</b>	Yes
<b>Balanced door</b>	Yes	<b>Tank capacity</b>	11 l
<b>Upper wash system</b>	One wash and one split rinse spray arms, stainless steel	<b>Boiler capacity</b>	6,5 l
<b>Lower wash system</b>	One wash and one split rinse spray arms, stainless steel	<b>Noise</b>	Lpa 54,5 dBA
<b>Tank filter</b>	Stainless steel	<b>USB port</b>	Yes
<b>Door gasket</b>	On 3 sides	<b>Protection class</b>	IPX4
<b>Rack guides</b>	Embossed	<b>Adjustable feet</b>	Yes
		<b>Drain max. height</b>	600 mm

## Accessories included

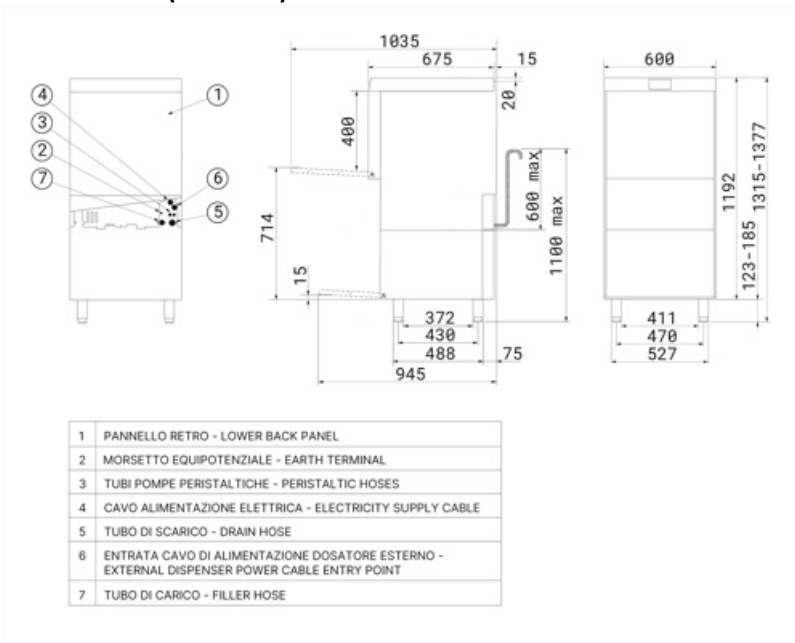
Flat basket	1x PB50G02	Water supply hose	Yes - 2 m
Grids	1 x KIT-WG500	Drain hose	Yes - 2m

## Equipments

Peristaltic detergent dispenser	Electronic control	Option for auto daily switch on	Yes, default OFF
Peristaltic rinse-aid dispenser	Electronic control	Cycle counter	Yes
Chemicals level probe	Yes, with optional kit KITSONLIV	Break tank	Yes
Rinse boiler Thermostop system	Yes - default	Water supply pipe diameter	DN15 - ½"
Wash tank Thermostop system	Yes	Drain supply pipe diameter	DN20-G 3/4"
Wash pump soft start system	Yes	Detergent (red) hose length	2,2 m
Stand-by system	Yes	Rinse aid (blue) hose length	2,2 m

## Logistic Information

EAN code	8017709348762	Net weight	90,000 kg
Packed product dimensions (WxDxH)	660x700x1470 mm	Gross weight	100,000 kg

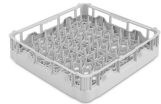


## Compatible Accessories



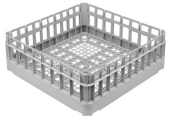
### KITSONLIV

Probe level kit



### PB50D01

Polypropylene basket for 18 plates  
Ø250 mm max, dim. (WxDxH)  
500x500x105 mm



### PB50G02

Universal flat bottom polypropylene  
basket, internal height 150 mm, dim.  
(WxDxH) 500x500x170 mm



### PHOOS01

Polypropylene single basket for cutlery



### WB50D01

Wire basket for 18 dishes Ø250 mm  
max or trays h 370 mm, dim. (WxDxH)  
500x500x92 mm



### WB50G02

Wire basket with sloped bottom for 25  
glasses Ø90 mm max, dim. (WxDxH)  
500x500x170 mm



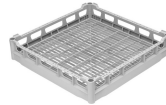
### WB50G04

Wire basket with sloped bottom for 12  
glasses Ø110 mm max or 9 glasses  
Ø135 mm max, dim. (WxDxH)  
500x500x165 mm



### KIT-WG500

Support grid for tray washer, dim.  
(WxD) 500x500 mm



### PB50G01

Universal flat bottom polypropylene  
basket, internal height 73 mm, dim.  
(WxDxH) 500x500x100 mm



### PB50T01

Polypropylene basket for 8 trays GN  
1/1 h 40 mm for traywasher and  
hood-type models. Vertical row  
spacing 68 mm and horizontal row  
spacing 54 mm, dim. (WxDxH)  
500x500x105 mm



### PHOOS04

4 compartments polypropylene  
basket for cutlery



### WB50G01

Universal wire basket with flat  
bottom, internal height 120 mm, dim.  
(WxDxH) 500x500x130 mm



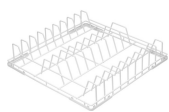
### WB50G03

Wire basket with sloped bottom for  
glasses Ø72 mm max, dim. (WxDxH)  
500x500x235 mm



### WB50PG5

Wire basket with flat bottom for 25  
plastic glasses, max. H 230 mm, min.-  
max. Ø 36-95 mm, dim. (WxDxH)  
500x500x260 mm



**WB50T02**

Wire basket for 7 trays GN1/1 h 20 mm,  
dim. (WxD) 500x500 mm



**WH00S01**

Wire insert for 17 small dishes, width  
100 mm, for flat bottom baskets  
500x500 and 600x500 mm



**WS5**

Stainless steel underframe for  
undercounter glasswashers and  
dishwashers 500 mm, dim. (WxDxH)  
595x595x490 mm

## Benefit (TT)

---

### Balanced door

Effortless opening and closing

The counterbalanced door is designed to ensure smooth and effortless opening and closing, providing high user convenience. Additionally, it can be locked in a halfway position, a particularly useful feature for promoting natural drying at the end of the workday, enhancing overall hygiene and preventing the buildup of residual moisture.

### 5-stage system

Deep cleaning and spotless washes with the patented filtration system

The innovative Smeg filtration system consists of 5 stages to completely eliminate all impurities: the 1st stage captures larger food residues; in the 2nd and 3rd stages, finer particles are captured at this filtration stage; the 4th stage features a pre-filtration grid to prevent debris from entering the tank and clouding the water. Finally, the last stage is designed to further protect the washing and draining pumps from any debris that may accidentally enter the tank during filter cleaning.

### HTR+ System

Self-adaptive rinsing system for intelligent water management

The self-Adaptive HTR+ System monitors and adjusts the rinse volume with each wash cycle. The intelligent rinse management ensures the perfect amount of water and heat on the dishes, delivering consistent, reliable results, cycle after cycle.

### Moulded tank

Superior washing performance and enhanced cleaning convenience with molded tub bottoms and basket guides

Smeg dishwashers are designed with moulded tank and basket guides. The absence of sharp edges ensures an optimised wash flow, guaranteeing hygiene and impeccable cleaning performance. Furthermore, this innovative design simplifies machine cleaning, reducing the need for maintenance interventions.

### Integral double-skin

Thermal and acoustic insulation guaranteed

The double-skin design of undercounter dishwashers is engineered to optimise energy efficiency by minimising heat loss and accelerating water heating, resulting in lower energy consumption and faster start-up times. Additionally, it provides effective sound insulation, helping to reduce noise levels and ensuring a quieter, more comfortable working environment for staff.

### Drain pump

Partial water replacement during the wash cycle for clean and hygienic dishes

The standard drain pump, equipped with a partial water exchange system, ensures that the dirtiest water is automatically removed at every wash cycle. This mechanism allows for continuous renewal of the water used, ensuring that each phase of the washing process is carried out with clean water. The result is optimal dishwashing performance, with outstanding efficiency and an impeccable level of hygiene.

### **Soft-start system**

Effective management of the washing pump to protect your glassware

The Soft-Start function initiates the wash cycle gently and gradually, progressively increasing the water pressure. This system has been designed to provide optimal protection for the most fragile items, such as crystal glasses, significantly reducing the risk of chipping or damage. At the same time, it ensures excellent cleaning performance, combining efficiency and safety in every wash cycle.

### **Raised version**

Easy and fast dishwasher loading and unloading operations

The raised design facilitates loading and unloading dishes, making these tasks faster and more efficient. This results in significant time savings, especially valuable in high-intensity work environments.

The space below the dishwasher can be used to store detergents, utensils, or other accessories, providing a practical solution to optimise space usage, particularly in compact kitchens.

### **MyPersonal Wash**

10 pre-set washing programmes for a complete and ready-to-use solution

Each model in the PURA range offers 10 tested programmes, ensuring ready-to-use solutions for any washing requirement. With the MyPersonal Wash function, parameters such as time, temperature, pressure, and washing options can be customised, optimising cycles for delicate dishes or stubborn dirt. The result is a tailored wash, always flawless.

### **AdaptWash system**

Consistently perfect washing pressure for flawless results with every wash

The AdaptWash system offers 3 pressure levels that automatically adjust based on the selected program, ensuring optimal cleaning for every type of load.

### **Hood lift**

Unprecedented comfort with the patented lifting system

The new ergonomic handle, combined with the patented lifting system, minimises the effort required to open and close the hood, limiting it to just 2.5 kg. This system ensures an exceptionally smooth and lightweight operation, helping to protect the operator's health and well-being, even during extended use.

### **Euronorm**

Compatibility with EN 600x400 mm trays

These models offer great versatility, with the ability to wash up to 6 Euronorm 600x400 mm trays. These features make the products extremely useful for a wide range of activities, such as pizzerias, bakeries, bistros, catering, restaurants, and cafés.

## **Program visibility**

Program selection displayed for simplified dishwasher management

Users can select the programs to be displayed, hiding those that are unnecessary or unused. This feature not only helps prevent improper use of the appliance but also represents a significant step towards fully customising the user experience.