

# SPF526

<b>Família</b>	Máquina de lavar louça profissional
<b>Subfamília</b>	Raised
<b>Tipo</b>	Raised traywasher
<b>Louça</b>	Louça; Talheres; EN 600x400 trays; GN1/1 trays
<b>Dimensões do cesto</b>	500x500 mm
<b>Painel de comandos</b>	Ecrã Touch
<b>Standard drain pump with partial water renewal in the wash tank</b>	Sim
<b>Bomba de enxaguamento</b>	Self-Adaptive HTR+
<b>Tipo de caldeira</b>	Atmosferic boiler
<b>Bomba de lavagem</b>	Variable speed AdaptWash
<b>Ligação energética</b>	400 V 3N~ / 15 A / 8,4 kW / 50 Hz
<b>Dimensões do produto (LxPxA)</b>	600x690x1315 mm



## Mercado

<b>Indústrias</b>	Hotelaria; Restaurantes / Catering; Padarias / Pastelarias; Estabelecimentos de Cuidados; Catering; Indústrias Alimentares; Talhós
-------------------	------------------------------------------------------------------------------------------------------------------------------------------------------

## Design

<b>Cor dos LEDs</b>	Branco	<b>Design</b>	Pura
---------------------	--------	---------------	------

## Especificações técnicas

<b>Trays number</b>	7 x GN1/1; 6 x EN 600x400	<b>Temperatura máxima de entrada:</b>	60°C
<b>Opção de lavagem dos tabuleiros</b>	Sim	<b>Dureza máxima da água</b>	5°f - 3°dH
<b>Consumo de água por ciclo</b>	2,5 l	<b>Pressão de entrada</b>	100-1000 kPa (min-max)
<b>Temperatura de lavagem (mín.-máx)</b>	60 °C - 70 °C	<b>Carga de detergente</b>	1,5 l/h
<b>Temperatura de enxaguamento (mín.-máx.)</b>	65 °C - 87 °C	<b>Carga de enxaguamento</b>	0,4 l/h
<b>Temperatura pré-definida de ligação da água</b>	5°C	<b>Altura de carga operável</b>	400 mm
<b>Consumo mínimo de água por ciclo</b>	1,8 l	<b>Profundidade com porta aberta</b>	1020 mm

## Programas

<b>Programas</b>	10 programas personalizáveis; Programas de autolimpeza
<b>Opções do programa</b>	Enxaguamento extra; Ciclo da água limpa
<b>Tabela de programas</b>	Lava bandejas Pura 500
<b>Visibilidade do programa</b>	Sim
<b>Numero máximo de cestos/hora</b>	60
<b>Numero máximo de pratos/hora</b>	1080
<b>Numero máximo de copos/hora</b>	2160

## Conectividade

<b>SmegConnect Pro</b>	Sim	<b>PST certificate support period [UK]</b>	24 months
<b>Conectividade</b>	Wi-Fi	<b>Caducidade do período de assistência UK PSTI</b>	2027-12-31

## Ligação elétrica

<b>Potência do elemento de aquecimento do tanque</b>	2000 W	<b>Ligação pré-definida</b>	8400 W
<b>Potência do elemento de aquecimento da caldeira</b>	5700 W	<b>Ligação eléctrica opcional</b>	230 V 3~ / 24 A / 8,4 kW / 50 Hz; 230 V~ / 14 A / 3,1 kW / 50 Hz; 230 V~ / 31 A / 7,1 kW / 50 Hz
<b>Potência da bomba de lavagem</b>	700 W	<b>Ficha eléctrica</b>	Não

## Interface

<b>Display</b>	Display TFT	<b>Indicador da fase do programa</b>	Sim
<b>Luz indicadora On/Off</b>	Sim	<b>Indicador de fim do programa</b>	Sim
<b>Alerta de falta de abrillantador</b>	Sim	<b>Diagnóstico manual</b>	Sim
<b>Alerta de falta de detergente</b>	Sim		

## ESPECIFICAÇÕES TÉCNICAS

<b>Cuba</b>	Profundo	<b>Hood elevation system</b>	Manual
<b>Tipologia</b>	Parede dupla	<b>Filtro</b>	Sistema de filtragem de 5 estágios
<b>Material da cuba</b>	Aço inox AISI 304	<b>Sensor de presença de filtro</b>	Sim
<b>Painel traseiro</b>	St/steel	<b>Capacidade da cuba</b>	11 l
<b>Porta equilibrada</b>	Sim	<b>Capacidade da caldeira</b>	6.5 l
<b>Sistema de lavagem superior</b>	Um braço de lavagem e um braço de enxaguamento dividido, em aço inoxidável.	<b>Ruído</b>	Lpa 54,5 dBA

<b>Sistema de lavagem inferior</b>	One wash and one split rinse spray arms, stainless steel	<b>Porta USB</b>	Sim
<b>Filtro da cuba</b>	Aço inox	<b>Classe de Proteção</b>	IPX4
<b>Junta da porta</b>	Em 3 lados	<b>Pés ajustáveis</b>	Sim
<b>Guias dos cestos</b>	Embutidas	<b>Altura max. de drenagem</b>	600 mm

## Acessórios incluídos

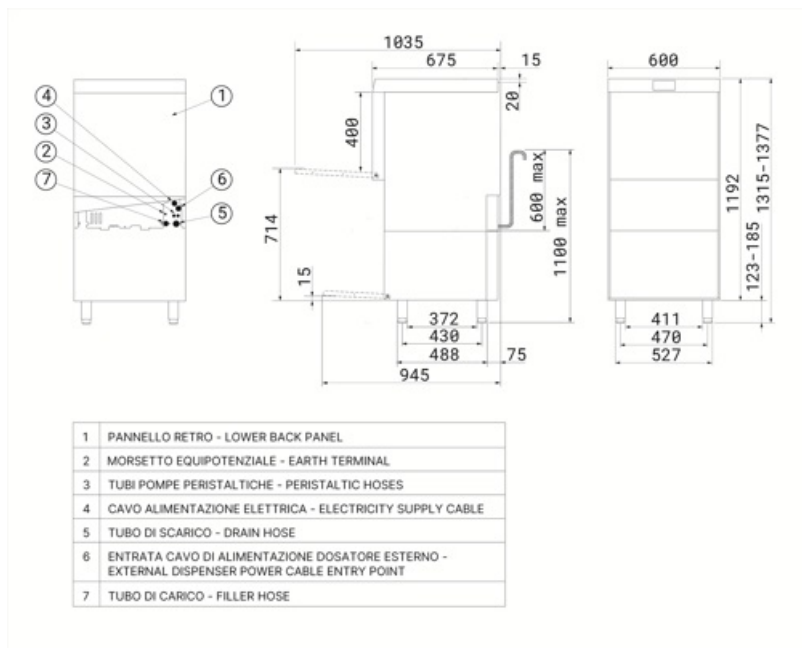
<b>Cesto de fundo plano</b>	1x PB50G02	<b>Mangueira de abastecimento de água</b>	Sim - 2m
<b>Grelhas</b>	1 x KIT-WG500	<b>Mangueira de drenagem</b>	Sim - 2m

## Equipamentos

<b>Dispensador peristáltico de detergente</b>	Controlo eletrónico	<b>Opção para ativação automática diária</b>	Sim, desligado por definição
<b>Dispensador peristáltico de brilhantador</b>	Controlo eletrónico	<b>Contador de ciclos</b>	Sim
<b>Sonda de nível químico</b>	Sim, opcional KITSONLIV	<b>Tanque de Ruptura</b>	Sim
<b>Sistema Thermostop para caldeira de enxaguamento</b>	Yes - default	<b>Diâmetro do tudo de abastecimento de água</b>	DN15 - ½"
<b>Sistema Thermostop no tanque de lavagem</b>	Sim	<b>Ø do tubo de drenagem</b>	DN20-G 3/4"
<b>Sistema de arranque suave da bomba de lavagem</b>	Sim	<b>Comprimento da mangueira de detergente (vermelha)</b>	2,2 m
<b>Sistema Stand-by</b>	Sim	<b>Comprimento da mangueira de enxaguamento (azul)</b>	2,2 m

## Dados de logística

<b>Código EAN</b>	8017709348762	<b>Peso líquido (kg)</b>	90.000 kg
<b>Dimensões do produto embalado (LxPxA)</b>	660x700x1470 mm	<b>Peso bruto (kg)</b>	100.000 kg

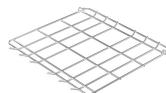


## Acessórios Compatíveis



### KITSONLIV

Probe level kit



### KIT-WG500

Support grid for tray washer, dim. (WxD) 500x500 mm



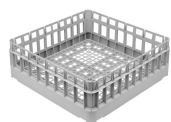
### PB50D01

Polypropylene basket for 18 plates Ø250 mm max, dim. (WxDxH) 500x500x105 mm



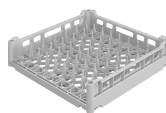
### PB50G01

Universal flat bottom polypropylene basket, internal height 73 mm, dim. (WxDxH) 500x500x100 mm



### PB50G02

Universal flat bottom polypropylene basket, internal height 150 mm, dim. (WxDxH) 500x500x170 mm



### PB50T01

Polypropylene basket for 8 trays GN 1/1 h 40 mm for traywasher and hood-type models. Vertical row spacing 68 mm and horizontal row spacing 54 mm, dim. (WxDxH) 500x500x105 mm



### PHOOS01

Polypropylene single basket for cutlery



### PHOOS04

4 compartments polypropylene basket for cutlery



### WB50D01

Wire basket for 18 dishes Ø250 mm max or trays h 370 mm, dim. (WxDxH) 500x500x92 mm



### WB50G01

Universal wire basket with flat bottom, internal height 120 mm, dim. (WxDxH) 500x500x130 mm



### WB50G02

Wire basket with sloped bottom for 25 glasses Ø90 mm max, dim. (WxDxH) 500x500x170 mm



### WB50G03

Wire basket with sloped bottom for glasses Ø72 mm max, dim. (WxDxH) 500x500x235 mm



### WB50G04

Wire basket with sloped bottom for 12 glasses Ø110 mm max or 9 glasses Ø135 mm max, dim. (WxDxH) 500x500x165 mm



### WB50PG5

Wire basket with flat bottom for 25 plastic glasses, max. H 230 mm, min.-max. Ø 36-95 mm, dim. (WxDxH) 500x500x260 mm



**WB50T02**

Wire basket for 7 trays GN1/1 h 20 mm,  
dim. (WxD) 500x500 mm



**WS5**

Estrutura inferior para máquina de lavar  
copos e máquina de lavar louça 500



**WH00S01**

Wire insert for 17 small dishes, width  
100 mm, for flat bottom baskets  
500x500 and 600x500 mm

## Benefit (TT)

---

### Balanced door

Effortless opening and closing

The counterbalanced door is designed to ensure smooth and effortless opening and closing, providing high user convenience. Additionally, it can be locked in a halfway position, a particularly useful feature for promoting natural drying at the end of the workday, enhancing overall hygiene and preventing the buildup of residual moisture.

### 5-stage system

Deep cleaning and spotless washes with the patented filtration system

The innovative Smeg filtration system consists of 5 stages to completely eliminate all impurities: the 1st stage captures larger food residues; in the 2nd and 3rd stages, finer particles are captured at this filtration stage; the 4th stage features a pre-filtration grid to prevent debris from entering the tank and clouding the water. Finally, the last stage is designed to further protect the washing and draining pumps from any debris that may accidentally enter the tank during filter cleaning.

### HTR+ System

Self-adaptive rinsing system for intelligent water management

The self-Adaptive HTR+ System monitors and adjusts the rinse volume with each wash cycle. The intelligent rinse management ensures the perfect amount of water and heat on the dishes, delivering consistent, reliable results, cycle after cycle.

### Moulded tank

Superior washing performance and enhanced cleaning convenience with molded tub bottoms and basket guides

Smeg dishwashers are designed with moulded tank and basket guides. The absence of sharp edges ensures an optimised wash flow, guaranteeing hygiene and impeccable cleaning performance. Furthermore, this innovative design simplifies machine cleaning, reducing the need for maintenance interventions.

### Integral double-skin

Thermal and acoustic insulation guaranteed

The double-skin design of undercounter dishwashers is engineered to optimise energy efficiency by minimising heat loss and accelerating water heating, resulting in lower energy consumption and faster start-up times. Additionally, it provides effective sound insulation, helping to reduce noise levels and ensuring a quieter, more comfortable working environment for staff.

### Drain pump

Partial water replacement during the wash cycle for clean and hygienic dishes

The standard drain pump, equipped with a partial water exchange system, ensures that the dirtiest water is automatically removed at every wash cycle. This mechanism allows for continuous renewal of the water used, ensuring that each phase of the washing process is carried out with clean water. The result is optimal dishwashing performance, with outstanding efficiency and an impeccable level of hygiene.

### **Soft-start system**

Effective management of the washing pump to protect your glassware

The Soft-Start function initiates the wash cycle gently and gradually, progressively increasing the water pressure. This system has been designed to provide optimal protection for the most fragile items, such as crystal glasses, significantly reducing the risk of chipping or damage. At the same time, it ensures excellent cleaning performance, combining efficiency and safety in every wash cycle.

### **Raised version**

Easy and fast dishwasher loading and unloading operations

The raised design facilitates loading and unloading dishes, making these tasks faster and more efficient. This results in significant time savings, especially valuable in high-intensity work environments. The space below the dishwasher can be used to store detergents, utensils, or other accessories, providing a practical solution to optimise space usage, particularly in compact kitchens.

### **MyPersonal Wash**

10 pre-set washing programmes for a complete and ready-to-use solution

Each model in the PURA range offers 10 tested programmes, ensuring ready-to-use solutions for any washing requirement. With the MyPersonal Wash function, parameters such as time, temperature, pressure, and washing options can be customised, optimising cycles for delicate dishes or stubborn dirt. The result is a tailored wash, always flawless.

### **AdaptWash system**

Consistently perfect washing pressure for flawless results with every wash

The AdaptWash system offers 3 pressure levels that automatically adjust based on the selected program, ensuring optimal cleaning for every type of load.

### **Hood lift**

Unprecedented comfort with the patented lifting system

The new ergonomic handle, combined with the patented lifting system, minimises the effort required to open and close the hood, limiting it to just 2.5 kg. This system ensures an exceptionally smooth and lightweight operation, helping to protect the operator's health and well-being, even during extended use.

### **Euronorm**

Compatibility with EN 600x400 mm trays

These models offer great versatility, with the ability to wash up to 6 Euronorm 600x400 mm trays. These features make the products extremely useful for a wide range of activities, such as pizzerias, bakeries, bistros, catering, restaurants, and cafés.

## **Program visibility**

Program selection displayed for simplified dishwasher management

Users can select the programs to be displayed, hiding those that are unnecessary or unused. This feature not only helps prevent improper use of the appliance but also represents a significant step towards fully customising the user experience.