

SPF526S

Family	Professional dishwasher
Subfamily	Raised
Type	Raised traywasher
Crockery	Crockery; Cutlery; EN 600x400 trays; GN1/1 trays
Basket dimensions	500x500 mm
Control panel	Touch screen
Standard drain pump with partial water renewal in the wash tank	Yes
Rinse pump	Self-Adaptive HTR+
Boiler type	Atmosferic boiler
Wash pump	Variable speed AdaptWash
Power connection	400 V 3N~ / 15 A / 8,4 kW / 50 Hz
Product dimensions (WxDxH)	600x690x1315 mm



Target

Industries	Hotels; Restaurants; Bakeries / Pastry shops; Care facilities ; Catering; Commercial food services; Butcher shops / Delicatessens
------------	--

Aesthetics

Led color	White	Series	Pura
-----------	-------	--------	------

Technical Features

Trays number	7 x GN1/1; 6 x EN 600x400	Max. inlet temperature	60°C
Trays washing option	Yes	Max water hardness	60°f - 34°dH
Water consumption per cycle	2,5 l	Inlet pressure	100-1000 kPa (min-max)
Wash temperature (min-max)	60 °C - 70 °C	Detergent load	1,5 l/h
Rinse temperature (min-max)	65 °C - 87 °C	Rinse load	0,4 l/h
Min. water connection temperature	5°C	Usable load height	400 mm
		Depth with open door	1020 mm
Minimum water consumption per cycle	1,8 l		

Programs

Programs	10 customizable programs; Self-cleaning programs
Program options	Extra rinse; Clean water cycle
Program table	Pura traywasher 500
Program visibility	Yes
Maximum basket/hour	60
Maximum dishes/hour	1080
Maximum glasses/hour	2160

Connectivity

SmegConnect Pro Connectivity	Yes Wi-Fi	PST certificate support period [UK]	24 months
		UK PSTI support period end date	2027-12-31

Electrical Connection

Tank heating element power	2000 W	Default connection	8400 W
Boiler heating element power	5700 W	Optional electrical connection	230 V 3~ / 24 A / 8,4 kW / 50 Hz; 230 V~ / 14 A / 3,1 kW / 50 Hz; 230 V~ / 31 A / 7,1 kW / 50 Hz
Wash pump power	700 W	Plug	Not present

Interface

Display	TFT	Detergent missing alert	Yes
On/Off button	Yes	Cycle progress alert	Yes
Salt alert	Yes	End-cycle alert	Yes
Rinse aid missing alert	Yes	Manual diagnostic	Yes

Construction

Tank Construction	Deep drawn Integral double-skin	Hood elevation system	Manual
Tank material	Stainless steel AISI 304	Filter	5-stage filter system
Back panel	St/steel	Filter presence sensor	Yes
Balanced door	Yes	Tank capacity	11 l
Upper wash system	One wash and one split rinse spray arms, stainless steel	Boiler capacity	6,5 l
Lower wash system	One wash and one split rinse spray arms, stainless steel	Noise	Lpa 54,5 dBA
Tank filter	Stainless steel	USB port	Yes
Door gasket	On 3 sides	Protection class	IPX4
Rack guides	Embossed	Adjustable feet	Yes
		Drain max. height	600 mm

Accessories included

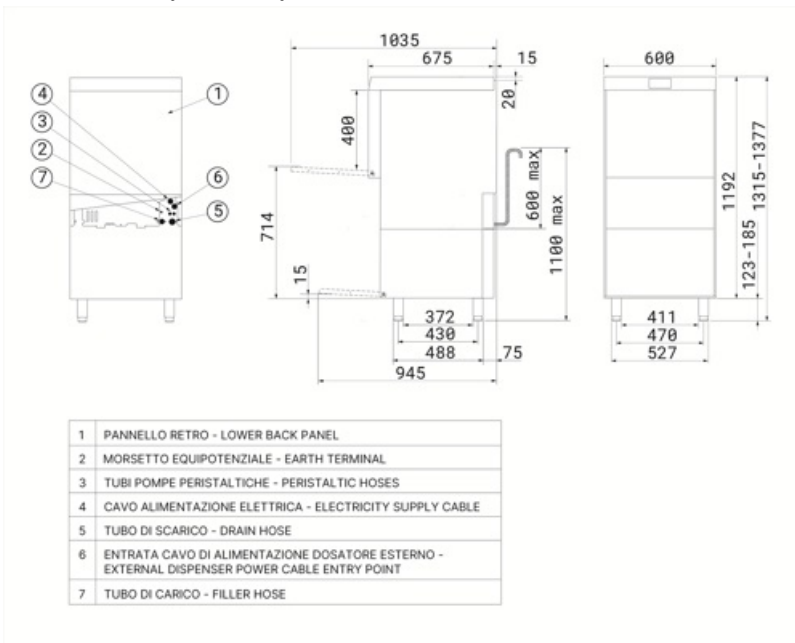
Flat basket	1x PB50G02	Water supply hose	Yes - 2 m
Grids	1 x KIT-WG500	Drain hose	Yes - 2m

Equipments

Peristaltic detergent dispenser	Electronic control	Option for auto daily switch on	Yes, default OFF
Peristaltic rinse-aid dispenser	Electronic control	Cycle counter	Yes
Chemicals level probe	Yes, with optional kit KITSONLIV	Break tank	Yes
Automatic built softener	Yes	Water supply pipe diameter	DN15 - ½"
Rinse boiler Thermostop system	Yes - default	Drain supply pipe diameter	DN20-G 3/4"
Wash tank Thermostop system	Yes	Detergent (red) hose length	2,2 m
Wash pump soft start system	Yes	Rinse aid (blue) hose length	2,2 m
Stand-by system	Yes		

Logistic Information

EAN code	8017709348755	Net weight	93,000 kg
Packed product dimensions (WxDxH)	660x700x1470 mm	Gross weight	103,000 kg



Compatible Accessories



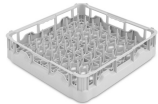
KITSONLIV

Probe level kit



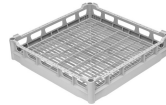
KIT-WG500

Support grid for tray washer, dim. (WxD) 500x500 mm



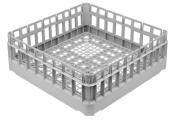
PB50D01

Polypropylene basket for 18 plates
Ø250 mm max, dim. (WxDxH)
500x500x105 mm



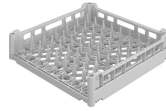
PB50G01

Universal flat bottom polypropylene
basket, internal height 73 mm, dim.
(WxDxH) 500x500x100 mm



PB50G02

Universal flat bottom polypropylene
basket, internal height 150 mm, dim.
(WxDxH) 500x500x170 mm



PB50T01

Polypropylene basket for 8 trays GN
1/1 h 40 mm for traywasher and
hood-type models. Vertical row
spacing 68 mm and horizontal row
spacing 54 mm, dim. (WxDxH)
500x500x105 mm



PHOOS01

Polypropylene single basket for cutlery



PHOOS04

4 compartments polypropylene
basket for cutlery



WB50D01

Wire basket for 18 dishes Ø250 mm
max or trays h 370 mm, dim. (WxDxH)
500x500x92 mm



WB50G01

Universal wire basket with flat
bottom, internal height 120 mm, dim.
(WxDxH) 500x500x130 mm



WB50G02

Wire basket with sloped bottom for 25
glasses Ø90 mm max, dim. (WxDxH)
500x500x170 mm



WB50G03

Wire basket with sloped bottom for
glasses Ø72 mm max, dim. (WxDxH)
500x500x235 mm



WB50G04

Wire basket with sloped bottom for 12
glasses Ø110 mm max or 9 glasses
Ø135 mm max, dim. (WxDxH)
500x500x165 mm



WB50PG5

Wire basket with flat bottom for 25
plastic glasses, max. H 230 mm, min.-
max. Ø 36-95 mm, dim. (WxDxH)
500x500x260 mm



WB50T02

Wire basket for 7 trays GN1/1 h 20 mm,
dim. (WxD) 500x500 mm



WH00S01

Wire insert for 17 small dishes, width
100 mm, for flat bottom baskets
500x500 and 600x500 mm



WS5

Stainless steel underframe for
undercounter glasswashers and
dishwashers 500 mm, dim. (WxDxH)
595x595x490 mm

Benefit (TT)

Balanced door

Effortless opening and closing

The counterbalanced door is designed to ensure smooth and effortless opening and closing, providing high user convenience. Additionally, it can be locked in a halfway position, a particularly useful feature for promoting natural drying at the end of the workday, enhancing overall hygiene and preventing the buildup of residual moisture.

5-stage system

Deep cleaning and spotless washes with the patented filtration system

The innovative Smeg filtration system consists of 5 stages to completely eliminate all impurities: the 1st stage captures larger food residues; in the 2nd and 3rd stages, finer particles are captured at this filtration stage; the 4th stage features a pre-filtration grid to prevent debris from entering the tank and clouding the water. Finally, the last stage is designed to further protect the washing and draining pumps from any debris that may accidentally enter the tank during filter cleaning.

HTR+ System

Self-adaptive rinsing system for intelligent water management

The self-Adaptive HTR+ System monitors and adjusts the rinse volume with each wash cycle. The intelligent rinse management ensures the perfect amount of water and heat on the dishes, delivering consistent, reliable results, cycle after cycle.

Moulded tank

Superior washing performance and enhanced cleaning convenience with molded tub bottoms and basket guides

Smeg dishwashers are designed with moulded tank and basket guides. The absence of sharp edges ensures an optimised wash flow, guaranteeing hygiene and impeccable cleaning performance. Furthermore, this innovative design simplifies machine cleaning, reducing the need for maintenance interventions.

Integrated softener

Effective water treatment for consistently sparkling glasses

The integrated continuous regeneration water softener ensures effective water treatment, enhancing washing performance and preserving the machine's operational lifespan. The resin regeneration process takes place during the wash cycle without interruptions, providing constant control over water hardness. This system prevents limescale buildup, maximises detergent efficiency, and guarantees spotless results on glassware and dishes.

Integral double-skin

Thermal and acoustic insulation guaranteed

The double-skin design of undercounter dishwashers is engineered to optimise energy efficiency by minimising heat loss and accelerating water heating, resulting in lower energy consumption and faster start-up times. Additionally, it provides effective sound insulation, helping to reduce noise levels and ensuring a quieter, more comfortable working environment for staff.

Drain pump

Partial water replacement during the wash cycle for clean and hygienic dishes

The standard drain pump, equipped with a partial water exchange system, ensures that the dirtiest water is automatically removed at every wash cycle. This mechanism allows for continuous renewal of the water used, ensuring that each phase of the washing process is carried out with clean water. The result is optimal dishwashing performance, with outstanding efficiency and an impeccable level of hygiene.

Soft-start system

Effective management of the washing pump to protect your glassware

The Soft-Start function initiates the wash cycle gently and gradually, progressively increasing the water pressure. This system has been designed to provide optimal protection for the most fragile items, such as crystal glasses, significantly reducing the risk of chipping or damage. At the same time, it ensures excellent cleaning performance, combining efficiency and safety in every wash cycle.

Raised version

Easy and fast dishwasher loading and unloading operations

The raised design facilitates loading and unloading dishes, making these tasks faster and more efficient. This results in significant time savings, especially valuable in high-intensity work environments. The space below the dishwasher can be used to store detergents, utensils, or other accessories, providing a practical solution to optimise space usage, particularly in compact kitchens.

MyPersonal Wash

10 pre-set washing programmes for a complete and ready-to-use solution

Each model in the PURA range offers 10 tested programmes, ensuring ready-to-use solutions for any washing requirement. With the MyPersonal Wash function, parameters such as time, temperature, pressure, and washing options can be customised, optimising cycles for delicate dishes or stubborn dirt. The result is a tailored wash, always flawless.

AdaptWash system

Consistently perfect washing pressure for flawless results with every wash

The AdaptWash system offers 3 pressure levels that automatically adjust based on the selected program, ensuring optimal cleaning for every type of load.

Hood lift

Unprecedented comfort with the patented lifting system

The new ergonomic handle, combined with the patented lifting system, minimises the effort required to open and close the hood, limiting it to just 2.5 kg. This system ensures an exceptionally smooth and lightweight operation, helping to protect the operator's health and well-being, even during extended use.

Euronorm

Compatibility with EN 600x400 mm trays

These models offer great versatility, with the ability to wash up to 6 Euronorm 600x400 mm trays. These features make the products extremely useful for a wide range of activities, such as pizzerias, bakeries, bistros, catering, restaurants, and cafés.

Program visibility

Program selection displayed for simplified dishwasher management

Users can select the programs to be displayed, hiding those that are unnecessary or unused. This feature not only helps prevent improper use of the appliance but also represents a significant step towards fully customising the user experience.